



超 高 速 绷 缝 机

ZJ2400A

ZJ2500A

SUPER HIGH SPEED INTERLOCK SEWING MACHINE

使 用 说 明 零 件 手 册

OPERATION MANUAL
PARTS BOOK

中国·中捷缝纫机股份有限公司
ZOJE SEWING MACHINE CO., LTD.

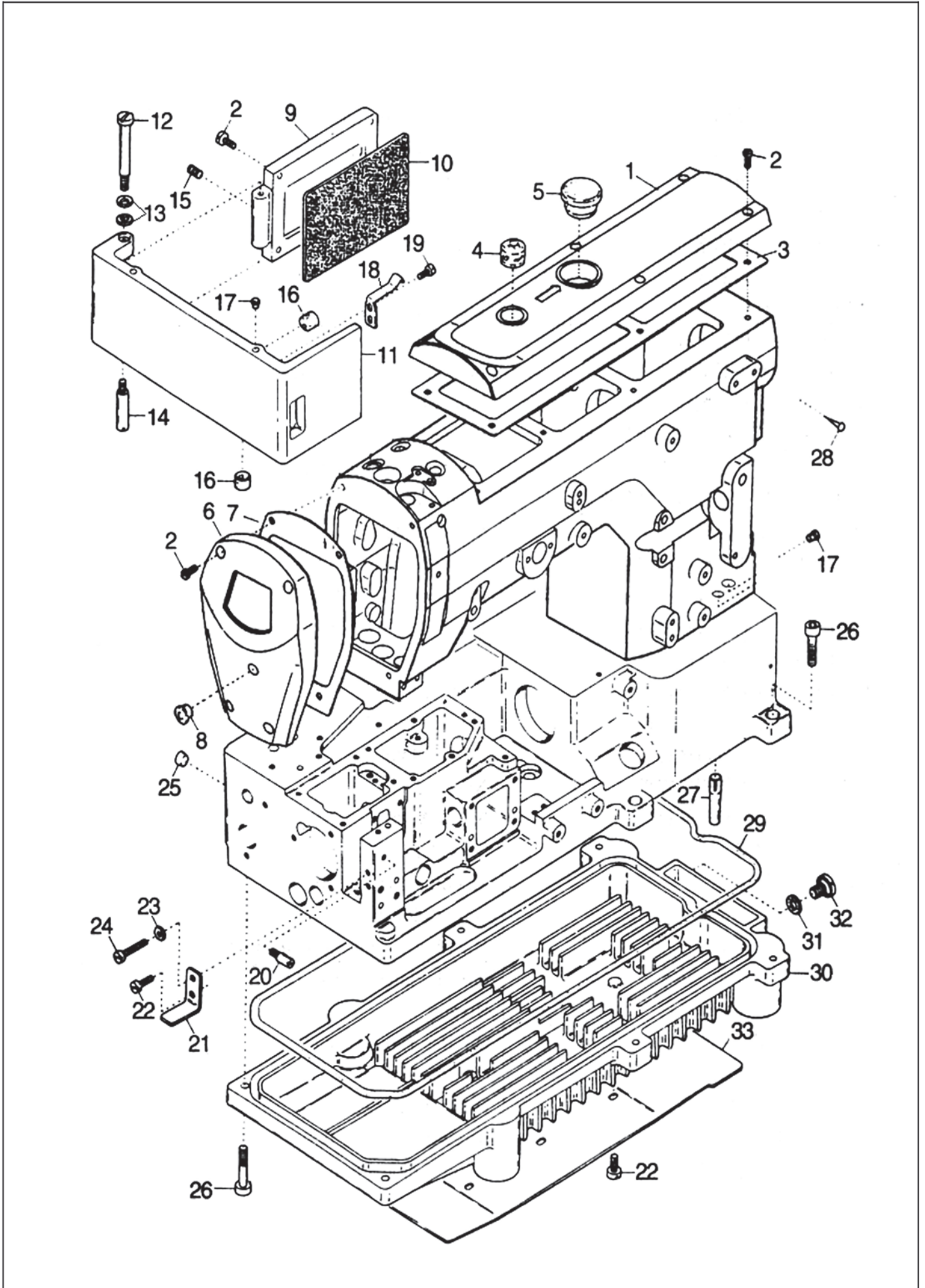
规格件表

CONVERSION CHART

MODEL	SUB-CLASS	NEEDLE CLAMP	NEEDLE PLATE	MAINFEED DOG	KIFF. FEED DOG	PRESSER FOOT	SPREADER	LOOPER	NEEDLE
机型	规格	针轧	针板	主送料牙	差动送料牙	压脚	绷针	弯针	针号
2400A-140M-VF	240	10011331	10011281	10011466	10011470	10004571			
2400A-148M-VF	248	10011386	10011381	10011466	10011470	10010042			
2500A-156M-VF	356	10011608	10010834	10011466	10011470	10014315			
2500A-164M-VF	364	10011266	10011332	10011328	10011327	10014105			
2403A-140M-VF	240	10011331	10011330	10011366	10011369	10006032			
2403A-148M-VF	248	10011386	10011326	10011366	10011369	10014192			UY128GAS 11#
2503A-156M-VF	356	10011608	10011378	10011366	10011369	10014304			
2503A-164M-VF	364	10011266	10011370	10011365	10011412	10014193			
2503A-156M-11-VF	356	10011608	10011383	10011391	10011390	10014304	10011662		
2503A-156M-21-VF	356	10011608	10011371	10011367	10011362	10014304			
2530A-156M-VF	356	10011608	10011363	10011466	10011470	10011368			
2530A-164M-VF	364	10011266	10011411	10011328	10011327	10011364			UY128GAS 14#
2439A-140S-1-VF	240	10011331	10011317	10011672	10011667	10011319			
2439A-148S-1-VF	248	10011386	10014384	10011672	10011667	10011316			UY128GAS 11#
2539A-156S-1-VF	356	10011608	10011478	10011672	10011667	10011553			
2539A-164S-1-VF	364	10011266	10011318	10011672	10011667	10011268			
2479A-064M-VF	264	10011266	10011411	10012212	10012207	10014243			UY128GAS 14#
2479A-056M-VF	256	10011608	10011363	10012231	10012207	10012216			

零件手册
PARTS BOOK

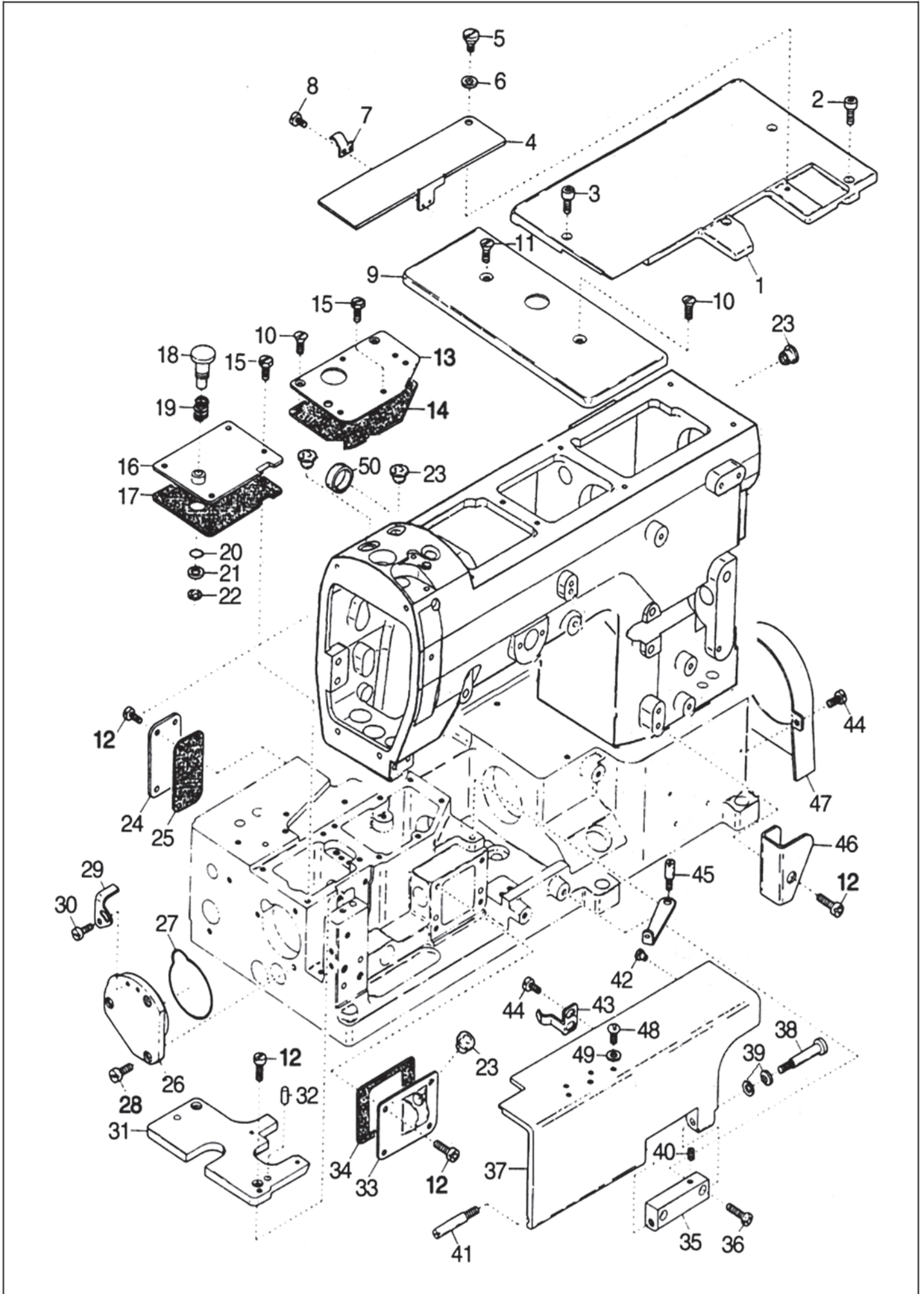
目录	CONTENTS	页/PAGE
1 机壳部件(1)	MISCELLANEOUS COVERS (1)	22
2 机壳部件(2)	MISCELLANEOUS COVERS (2)	24
3 过线部件	MISCELLANEOUS THREAD EYELETS	26
4 轴套及安全板部件	MISCELLANEOUS BUSHINGS & EYE GUARD	28
5 主轴部件	MAIN SHAFT DRIVING MECHANISE	30
6 上轴及挑线部件	UPPER SHAFT & NEEDLE THREAD TADKE-UP MECHANISM	32
7 针杆部件	NEEDLE BAR MECHANISM	34
8 抬压脚部件	PRESSER FOOT MECHANISM	36
9 绷针部件	SPERADER MECHANISM	38
10 弯针部件	LOOPER DRIVING MECHANISM	40
11 差动送料部件	FEED DRIVING COTROOL MECHANISM	42
12 送料抬牙部件	FEED DRIVING MECHANISM	44
13 润滑部件	LUBRICATING MECHANISM	46
14 滚领专用零部件	SUBMODEL EXCLUSIVE PARTS	48
15 直驱机型专用件	DIRECTLY DRIVING TYPE EXCLUSIVE PARTS	50
16 裤襻专用零部件(1)	BELT LOOP EXGLUSIVE PARTS (1)	52
17 裤襻专用零部件(2)	BELT LOOP EXGLUSIVE PARTS (2)	54
18 裤襻专用零部件(3)	BELT LOOP EXGLUSIVE PARTS (3)	56
19 上花边专用零部件(1)	JACKET EXGLUSIVE PARTS (1)	58
20 上花边专用零部件(2)	JACKET EXGLUSIVE PARTS (2)	60
21 上花边专用零部件(3)	JACKET EXGLUSIVE PARTS (3)	62
22 上花边专用零部件(4)	JACKET EXGLUSIVE PARTS (4)	64
23 支承板	SUPPORTING BOARD	66
24 线架	THEAD STAND	68
25 附件盒	ATTACHMENT BOX	70
26 包装箱	BOX	72



机壳部件(1)

MISCELLANEOUS COVERS(1)

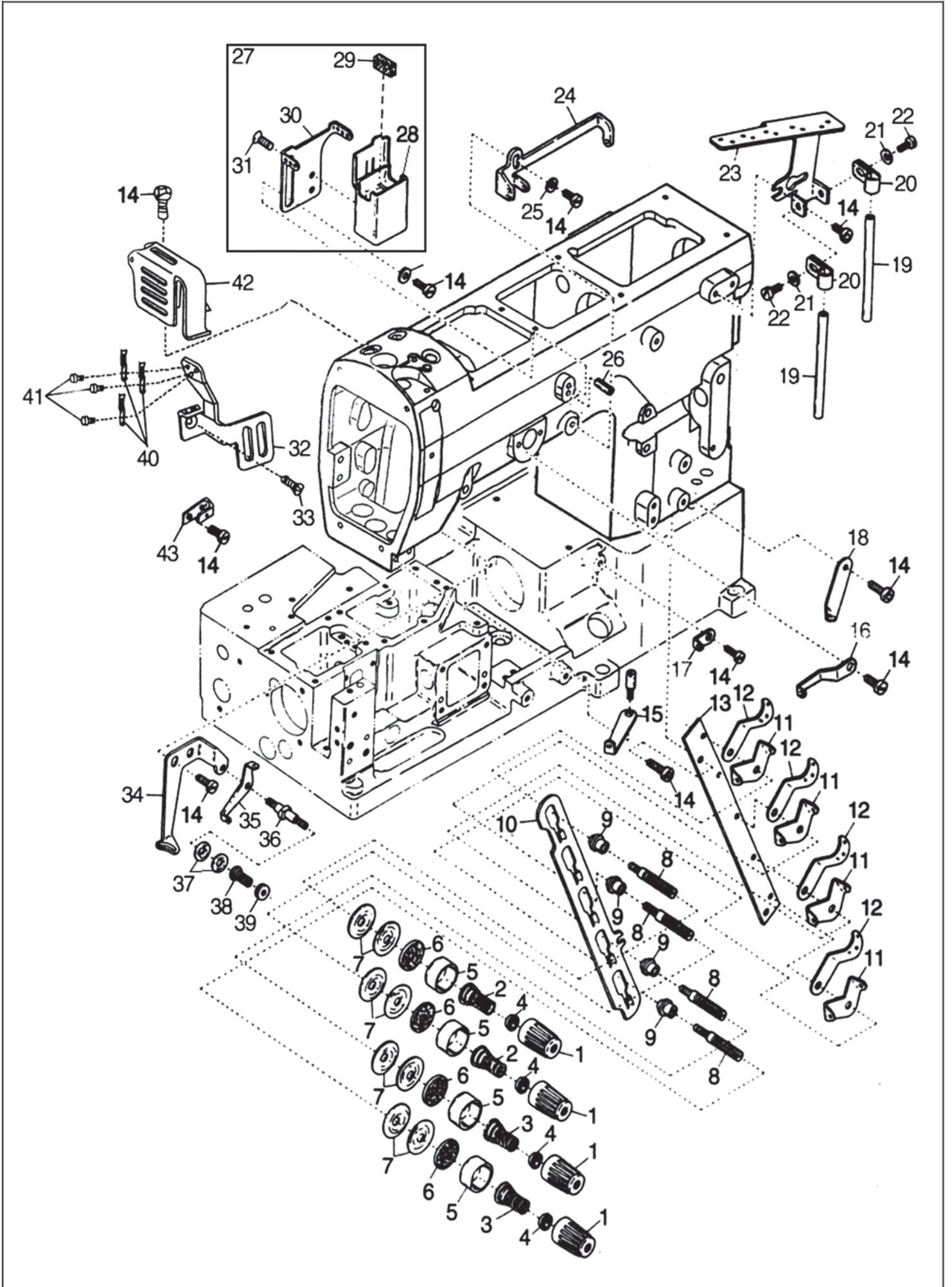
序号 No.	件号 Pars No.	名称	Description	数量 Number
1	20003608	上盖板	Top Cover	1
2	10010697	螺钉(M4×12)	Screw(M4×12)	14
3	10012294	上盖板油垫	Top Cover Gasket	1
4	10012958	上盖油窗	Oil Sight Window	1
5	10011006	橡胶塞	Plug	1
6	20006670	面板A	Head Cover	1
7	10010189	面板油垫	Head Cover Gasket	1
8	10013170	橡胶塞	Plug	1
9	20003692	底板后盖板	Bed Rear Cover	1
10	10010998	油垫	Bed Rear Cover Gasket	1
11	20003701	底板左侧摇罩板	Side Cover	1
12	10010795	螺钉(M4×8)	Screw(M4×8)	1
13	10010793	垫圈	Washer	2
14	10010832	螺钉(M4×6)	Screw(M4×6)	1
15	10010196	螺钉(M3×3)	Screw(M3×3)	1
16	10010831	橡胶塞	Plug	2
17	10010790	橡胶塞	Plug	2
18	10010794	弹簧	Spring	1
19	10010837	螺钉(M4×5)	Screw(M4×5)	2
20	10010694	销	Pin	1
21	10011003	左侧摇盖定位板	Side Cover Holder	1
22	10011264	螺钉(M4×8)	Screw(M4×8)	4
23	10009471	螺母	Nut	1
24	10010688	螺钉(M4×16)	Screw(M4×16)	1
25	10011050	堵塞	Seal Pulg	1
26	10010997	螺钉(M6×20)	Screw(M6×20)	6
27	10011002	底板支柱	Machine Frame Supporting Bar	4
28	10002840	铆钉	Rivet	1
29	10011009	油盘防油垫	Oil Reservoir Gasket	1
30	10014048	油盘	Oil Reservoir	1
31	10011258	垫圈	Washer	1
32	10011259	螺钉(SM3/8"×24)	Screw(SM3/8"×24)	1
33	10011262	油盘通风盖板	Wind Guide Plate	1



机壳部件(2)

MISCELLANEOUS COVERS(2)

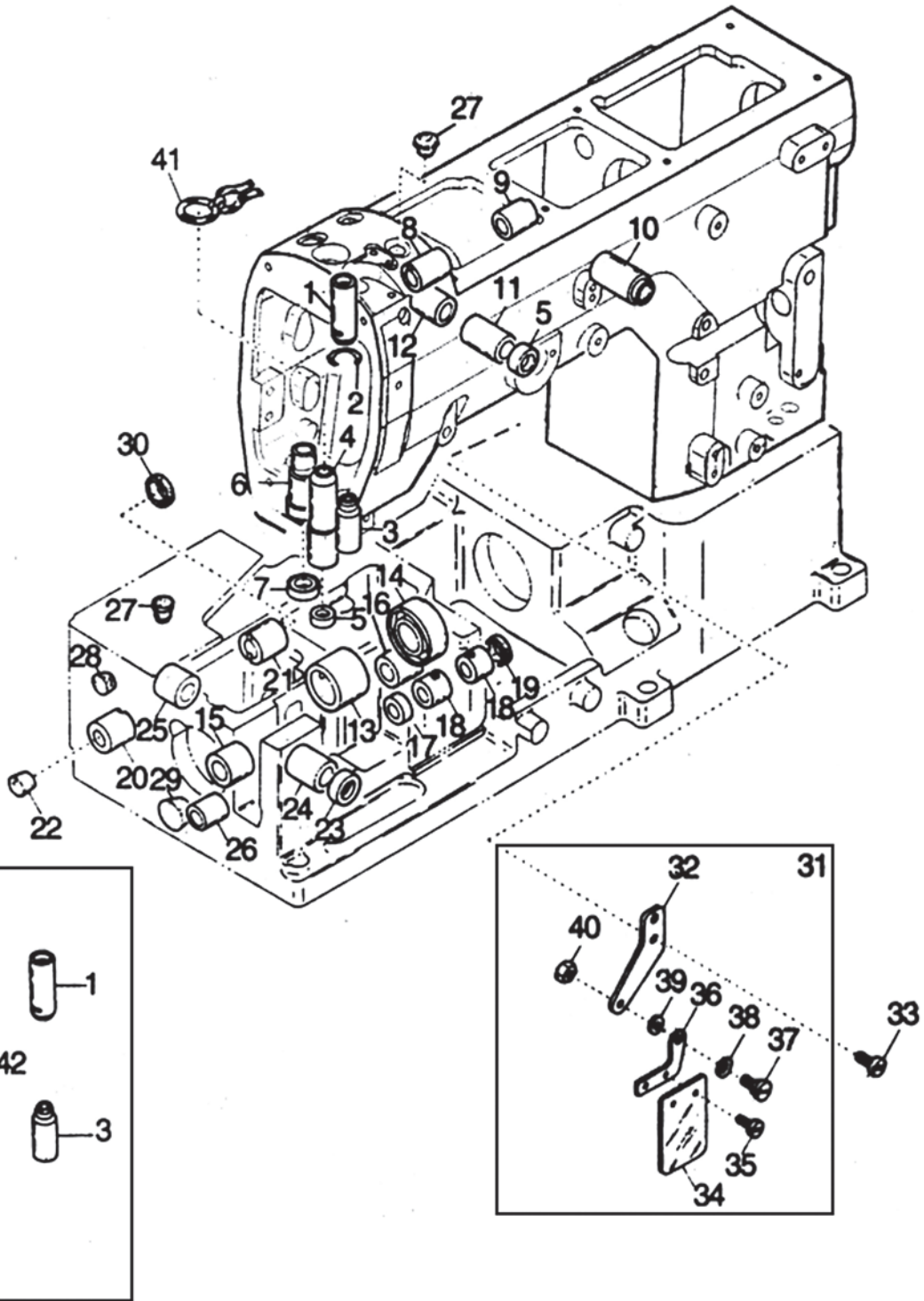
序号 No.	件号 Pars No.	名称	Description	数量 Number
1	20003696	缝台	Cloth Plate	1
2	10003138	螺钉(M4×16)	Screw(M4×16)	3
3	10005692	螺钉(M4×10)	Screw(M4×10)	1
4	10014058	缝台摇板	Looper Thead Take-up Cover	1
5	10011253	螺钉	Screw	1
6	10011261	垫圈	Washer	1
7	10011250	弹簧	Spring	1
8	10011257	螺钉(M3×2.5)	Screw(M3×2.5)	2
9	20003693	底板左上盖板	Cloth Plate	1
10	10011049	螺钉(M4×8)	Screw(M4×8)	3
11	10010999	螺钉(M4×15)	Screw(M4×15)	1
12	10011264	螺钉(M4×8)	Screw(M4×8)	10
13	10011043	主轴上盖板	Bed Top Cover	1
14	10011008	上盖板油垫	Bed Top Cover Gasket	1
15	10011005	螺钉(M4×9)	Screw(M4×9)	8
16	10010792	针距上盖板组件	Bed Top Cover	1
17	10011045	油封	Gasket	1
18	10010830	针距销	Pin	1
19	10010791	弹簧	Spring	1
20	10010796	O形圈	O-ring	1
21	10010835	垫圈	Washer	1
22	10007895	挡圈	Collar	1
23	10013170	橡胶塞	Plug	7
24	10011042	底板后盖板	Bed Rear Cover	1
25	10011046	油垫	Bed Rear Cover Gasket	1
26	10011255	主轴前轴承盖组件	Ball Bearing Housing	1
27	10011000	油封	Gasket	1
28	10011044	螺钉(M4×10)	Screw(M4×10)	3
29	10011256	针距保险板	Pushbutton Stop	1
30	10010837	螺钉(M4×5)	Screw(M4×5)	2
31	10010829	针板架	Stitch Plate Support	1
32	10013872	定位销	Pin	2
33	10011047	后保针架盖板	Bed Front Cover	1
34	10011007	油垫	Bed Front Cover Gasket	1
35	20003695	前罩板铰链座	Front Cover Hinge	1
36	10010688	螺钉(M4×16)	Screw(M4×16)	2
37	20003694	底板前罩板	Front Cover	1
38	10011247	螺钉	Screw	1
39	10010793	垫圈	Washer	2
40	10009074	螺钉(M4×4)	Screw(M4×4)	1
41	10011251	螺钉(M4×6)	Screw(M4×6)	1
42	10010790	橡胶塞	Plug	2
43	10011254	弹簧	Spring	1
44	10010837	螺钉(M4×5)	Screw(M4×5)	2
45	10011048	螺钉(M4×7)	Screw(M4×7)	1
46	10011001	弯针线道护罩	Eyelet Cover	1
47	10011004	主轴带轮罩	Oil Cooling Fan Cover	1
48	10011260	螺钉(M5×12)	Screw(M5×12)	2
49	10011249	垫圈	Washer	2
50	10010931	油封	Gasket	1



过线部件

MISCELLANEOUS THREAD EYELETS

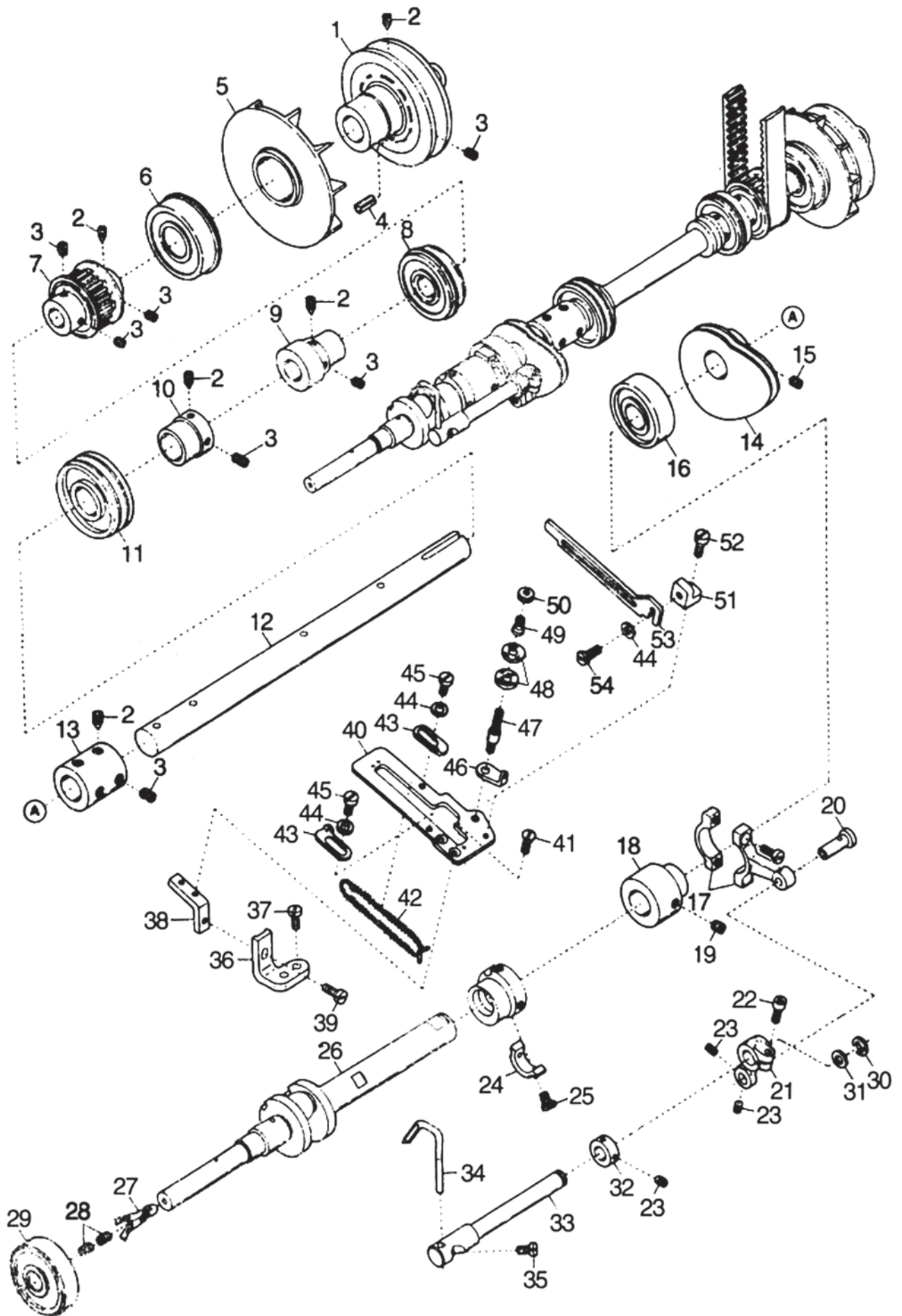
序号 No.	件号 Pars No.	名称	Description	数量 Number
1	10002538	夹线螺母	Thread Tension Spring Cap	5
2	10004233	弹簧	Spring	3
3	10004240	弹簧	Spring	2
4	10003111	防松垫	Tension Spring Disc Support	5
5	10004231	夹线簧座	Thread Tension Spring Retainer	5
6	10004238	夹线板垫	Felt	5
7	10003116	夹线盘	Tension Disc	10
8	10004232	螺钉	Screw	5
9	10004236	松线板套管	Tension Post Ferrule	5
10	10004234	松线板	Tension Disc Separater	1
11	10004239	双线过线板	Tension Disc Eyelet	5
12	10004241	单线过线板	Thread Lead-in Guide	5
13	10004235	夹线底板	Tension Post Support	1
14	10011264	螺钉(M4×8)	Screw(M4×8)	14
15	10010758	弯针前过线板	Looper Thread Eyelet	1
16	10010486	左绷缝过线板	Top Cover Thread Eyelet	1
17	10010752	弯针中过线板	Looper Thread Eyelet	1
18	10010746	弯针后过线板	Looper Thread Eyelet	1
19	10010692	面线过线管	Thread Eyelet Pipe	2
20	10010693	面线过线管夹	Thread Eyelet Pipe Stay	2
21	10010696	垫圈	Washer	2
22	10009325	螺钉	Screw	2
23	10010691	总过线板	Thread Guide Plate	1
24	10010754	绷缝调节过线板	Top Cover Thread Eyelet(Right)	1
25	10010761	垫圈	Washer	2
26	10010750	销	Pin	1
27	20002103	硅油盒组件	SP Device, Complete Set	1
28	10010753	面线润滑油箱	SP Container	1
29	10010687	毛毡	Felt	1
30	10010695	油箱座	Needle Thread Eyelet	1
31	10010690	螺钉	Screw	2
32	10010499	面线中过线板	Needle Thread Eyelet	1
33	10011049	螺钉(M4×8)	Screw(M4×8)	1
34	10004237	绷缝勒线板	Top Cover Thread Guide	1
35	10010747	绷缝调节过线板	Supplementary Thread Guide	1
36	10004254	螺钉	Screw	1
37	10004255	绷针夹线板	Supplementary Tension Disc	2
38	10005522	弹簧	Spring	1
39	10004253	螺母	Nut	1
40	10010523	针杆松线钉	Needle Bow Diaplasia Plate	3
41	10014413	螺钉(M2.5×4)	Screw(M2.5×4)	3
42	10013910	针杆护罩组件	Needle Thread Take-up Guard	1
43	10010760	面线下夹线座	Needle Thread Retainer Support	1



轴套及安全板部件

MISCELLANEOUS BUSHINGS & EYE GUARD

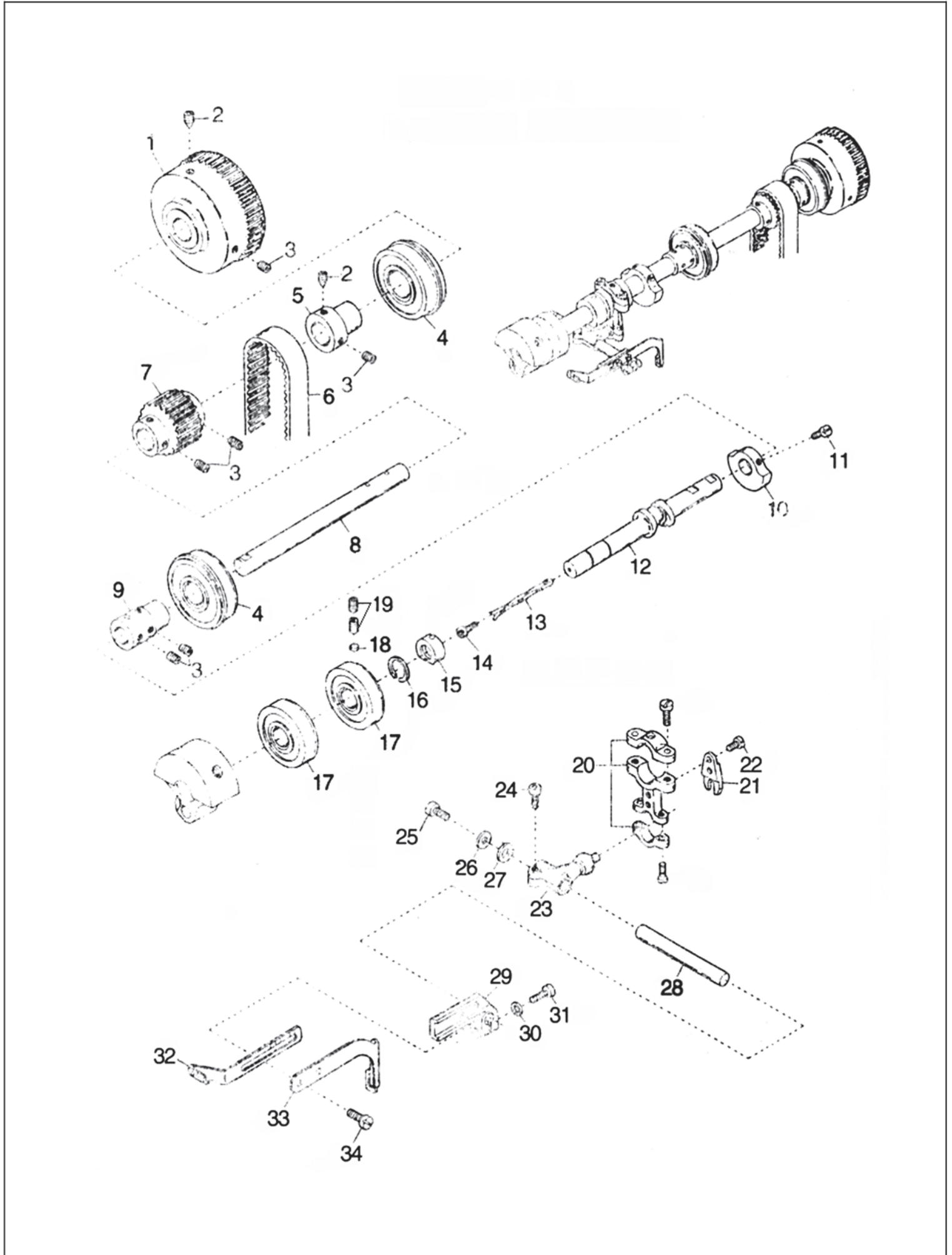
序号 No.	件号 Pars No.	名称	Description	数量 Number
1	10011103	轴套	Bushing	1
2	10008075	油线 $\phi 2 \times 80$	Oil Wick	1
3	10011104	轴套	Bushing	1
4	10011108	轴套	Bushing	1
5	10011180	油封	Gasket	2
6	10011110	轴套	Bushing	1
7	10011657	油封	Gasket	1
8	10011106	轴套	Bushing	1
9	10011116	轴套	Bushing	1
10	10011105	轴套	Bushing	1
11	10011112	轴套	Bushing	1
12	10011115	轴套	Bushing	1
13	10011113	轴套	Bushing	1
14	10010936	油封	Gasket	1
15	10011119	轴套	Bushing	1
16	10011117	轴套	Bushing	1
17	10014068	油封	Gasket	1
18	10011109	轴套	Bushing	2
19	10010931	油封	Gasket	1
20	10011118	轴套	Bushing	1
21	10011114	轴套	Bushing	1
22	10012053	橡胶塞	Plug	1
23	10010927	油封	Gasket	1
24	10011111	轴套	Bushing	1
25	10011107	轴套	Bushing	1
26	10010836	轴套	Bushing	1
27	10013170	橡胶塞	Plug	1
28	10011462	橡胶塞	Plug	1
29	10014072	橡胶塞	Plug	1
30	10011895	橡胶塞	Plug	1
31	20002142	安全板组件	Eye Guard, Complete Set	1
32	10011179	安全架座	Safety Plate Support	1
33	10011618	螺钉 (M6×9)	Screw (M6×9)	1
34	10011164	安全板	Safety Plate	1
35	10011176	螺钉 (SM3/32"×56)	Screw (SM3/32"×56)	2
36	10011167	安全板架	Safety Plate Holder	1
37	10011178	螺钉 (SM11/64"×40)	Screw (SM11/64"×40)	1
38	10011261	垫圈	Washer	1
39	10011168	垫圈	Washer	1
40	10011170	螺母	Nut	1
41	10008075	油线 $\phi 2 \times 250$	Oil Wick	1
42	10011623	针杆	Needle Bar	1



主轴部件

MAIN SHAFT DRIVING MECHANISE

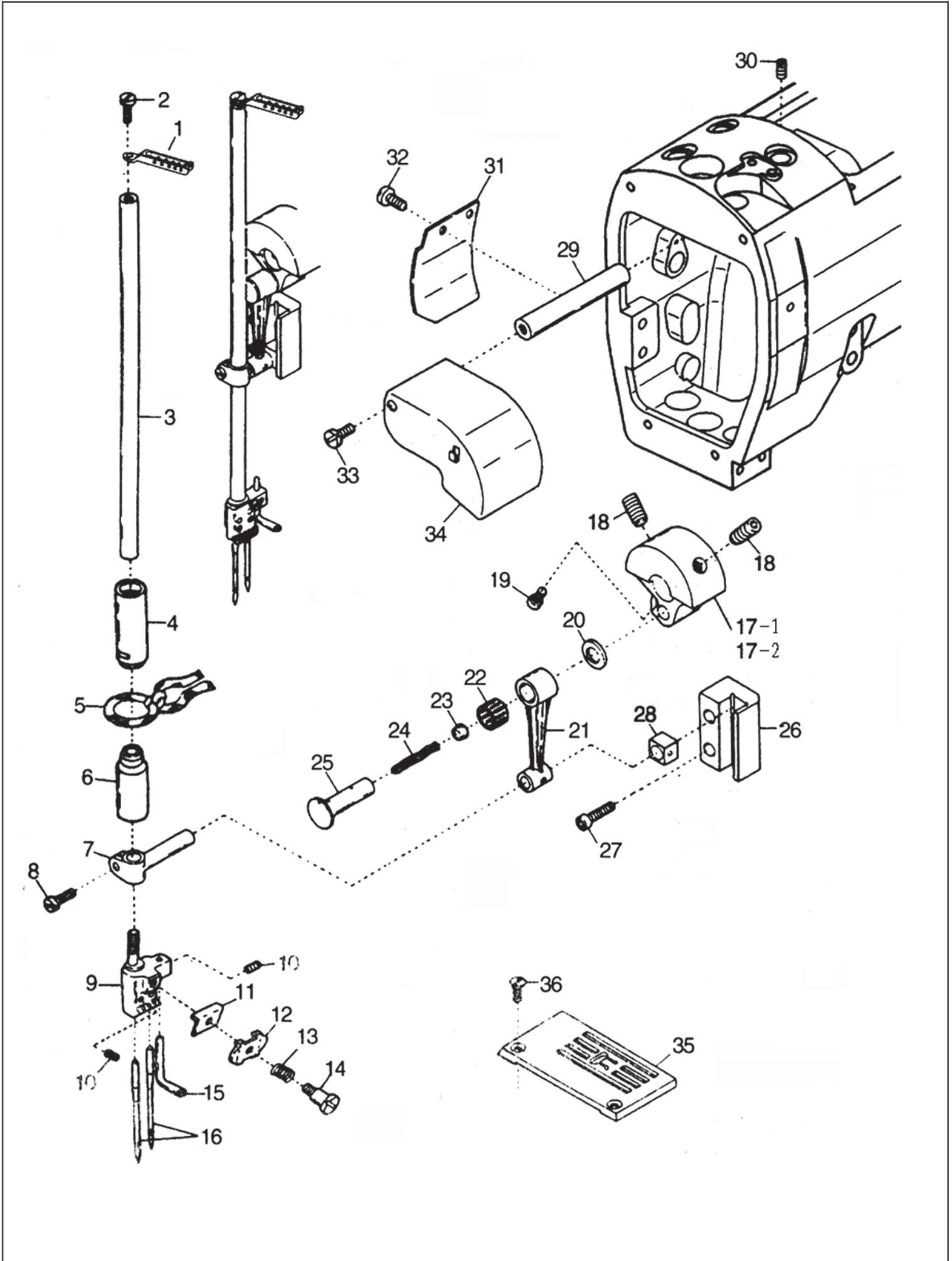
序号 No.	件号 Pars No.	名称	Description	数量 Number
1	10010937	带轮	Pulley	1
2	10011966	螺钉 (M6×8)	Screw (M6×8)	5
3	10010907	螺钉 (M6×6)	Screw (M6×6)	9
4	10002772	销	Pin	1
5	10010934	冷却轮	Oil Cooling Fan	1
6	10025870	轴承	Bearing	1
7	10011267	主轴同步齿形带轮	Main Shaft Sprocket	1
8	10025881	轴承	Bearing	1
9	10010923	蜗杆	Oil Pump Driving Worm	1
10	10010950	挡圈	Collar	1
11	10025877	轴承	Bearing	1
12	10010928	主轴后节轴	Lower Shaft	1
13	10010908	主轴联接套	Lower Shaft Joint	1
14	10010933	弯针挑线凸轮组件	Looper Thread Take-up, C.Set	1
15	10012014	螺钉 (M5×4)	Screw (M5×4)	2
16	10025893	轴承	Bearing	1
17	10004280	后保针架连杆组件	Needle Guard Connecting Rod, C.Set	1
18	10004355	弯针后保针架偏心轮	Needle Guard Eccentric	1
19	10012162	螺钉 (M5×5)	Screw (M5×5)	2
20	10010935	销	Pin	1
21	10010930	后保针架小连杆	Needle Guard Driving Shaft Arm	1
22	10011376	螺钉 (M5×12)	Screw (M5×12)	1
23	10010196	螺钉 (M3×3)	Screw (M3×3)	4
24	10011955	偏心轮平衡块	Counterweight	1
25	10009600	螺钉 (M3×6)	Screw (M3×6)	2
26	10004351	主轴前节轴	Lower Crankshaft	1
27	10008062	油线 φ1.4×150	Oil Wick	1
28	10009074	螺钉 (M4×4)	Screw (M4×4)	2
29	10003587	轴承	Bearing	1
30	10009654	挡圈	Collar	1
31	10010932	垫圈	Washer	1
32	10010929	挡圈	Collar	1
33	10010924	后保针架摆轴	Needle Guard Driving Shaft	1
34	10010925	弯针后保针架	Needle Guard	1
35	10011051	螺钉 (M3.5×4)	Screw (M3.5×4)	1
36	10010749	弯针挑线凸轮架座	Supporting Plate Stay	1
37	10011044	螺钉 (M4×10)	Screw (M4×10)	2
38	10010755	凸轮架座连接板	Supporting Plate Stay	1
39	10011264	螺钉 (M4×8)	Screw (M4×8)	1
40	10010906	挑线凸轮架	Supporting Plate	1
41	10009626	螺钉 (M3×4.3)	Screw (M3×4.3)	2
42	10008265	毛刷 φ3×300	Laced Wire	1
43	10014507	挑线凸轮架左右过线环	Thread Take-up Eyelet	2
44	10010696	垫圈	Washer	3
45	10014508	螺钉 (SM1/8"×44)	Screw (SM1/8"×44)	2
46	10010823	夹线器过线板	Looper Thread Eyelet	1
47	10004254	螺钉	Screw	1
48	10004255	绷针夹线板	Supplementary Tension Disc	2
49	10005522	弹簧	Spring	1
50	10004253	螺母	Nut	1
51	10010905	挑线凸轮挡线板座	Cast-off Plate Bracket	1
52	10013161	螺钉 (M3.5×7)	Screw (M3.5×7)	1
53	10010824	挑线凸轮拦线板	Cast-off Plate	1
54	10010904	螺钉 (SM9/64"×40)	Screw (SM9/64"×40)	1



上轴及挑线部件

UPPER SHAFT & NEEDLE THREAD TAKE-UP MECHANISM

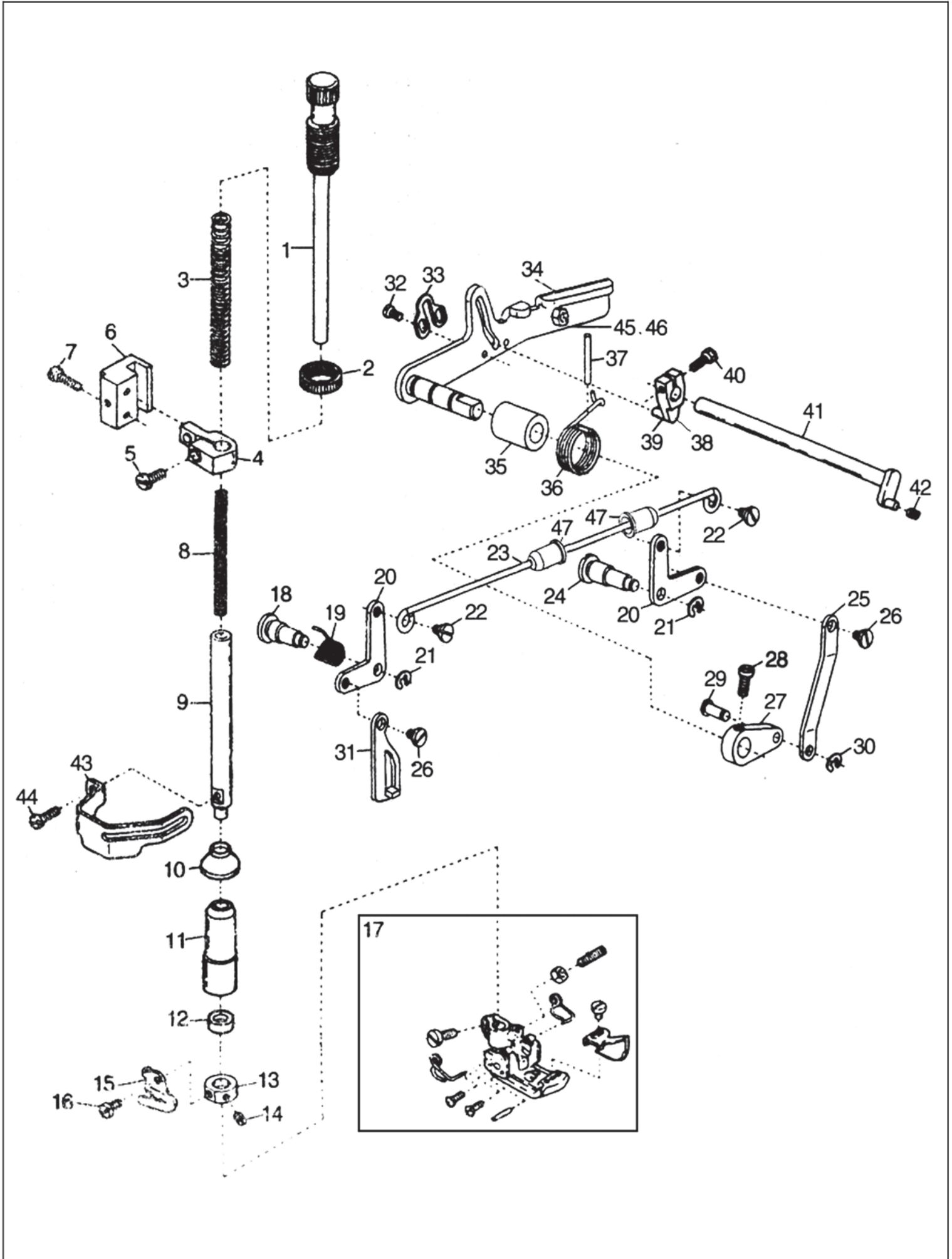
序号 No.	件号 Pars No.	名称	Description	数量 Number
1	20003698	手轮	Hand Wheel	1
2	10011966	螺钉 (M6×8)	Screw (M6×8)	2
3	10010907	螺钉 (M6×6)	Screw (M6×6)	10
4	10025881	轴承	Bearing	2
5	10010950	挡圈	Collar	1
6	10008146	同步齿形带	Timing Belt (Upper)	1
7	10010952	上轴同步齿形带轮	Upper Shaft Sprocher	1
8	10011163	上轴后节轴	Upper Shaft	1
9	10011172	上轴联接套	Upper Shaft Joint	1
10	10010955	上轴前接轴平衡块	Counterweight (Small)	1
11	10011264	螺钉 (M4×8)	Screw (M4×8)	2
12	10004407	上轴前节轴	Upper Crankshaft	1
13	10008063	油线 $\phi 1.5 \times 180$	Oil Wick	1
14	10011069	螺钉 (M4×4)	Screw (M4×4)	1
15	10011072	上轴前节进油套	Oil Sleeve	1
16	10003290	挡圈	Collar	1
17	10025896	轴承	Bearing	2
18	10011174	轴承支头螺钉垫	Pulg	1
19	10011177	螺钉 (M6×5)	Screw (M6×5)	2
20	10004406	面线挑线连杆组件	Connecting Rod	1
21	10011052	球曲柄导向叉	Guide Fork	1
22	10011068	螺钉 (SM1/8"×44)	Screw (SM1/8"×44)	2
23	10004409	面线挑线球曲柄	Driving Lever	1
24	10009008	螺钉 (M6×16)	Screw (M6×16)	1
25	10010953	螺钉 (M5×10)	Screw (M5×10)	1
26	10010954	垫圈	Washer	1
27	10011171	垫圈	Washer	1
28	10010959	球曲柄轴	Driving Shaft	1
29	10010956	面线挑线插座	Bracket	1
30	10005537	垫圈	Washer	1
31	10010958	螺钉 (M5×14)	Screw (M5×14)	1
32	10010960	面线挑线杆	Needle Thread Take-up	1
33	10010957	绷线挑线杆	Top Cover Thread Take-up	1
34	10013159	螺钉 (M3.5×7.5)	Screw (M3.5×7.5)	2



针杆部件

NEEDLE BAR MECHANISM

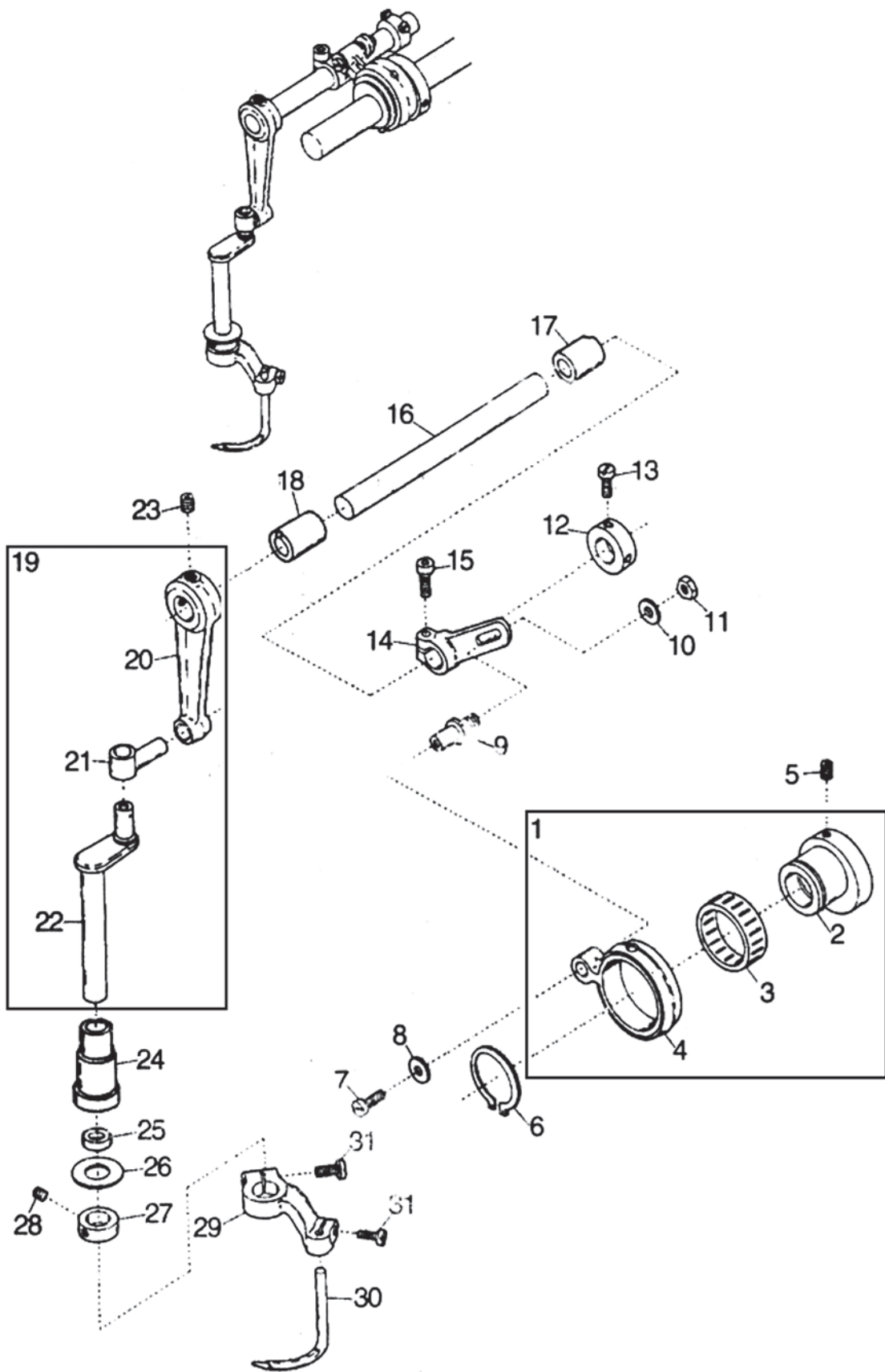
序号 No.	件号 Pars No.	名称	Description	数量 Number
1	10013191	针杆挑线杆	Needle Bar Thread Eyelet	1
2	10010904	螺钉 (SM9/64"×40)	Screw (SM9/64"×40)	1
3	10011623	针杆	Needle Bar	1
4	10011103	轴套	Bushing	1
5	10008075	油线 $\phi 2 \times 80$	Oil Wick	1
6	10011104	轴套	Bushing	1
7	10011616	针杆连接柱	Needle Bar Bracket	1
8	10011044	螺钉 (M4×10)	Screw (M4×10)	1
9	*	针夹	Needle Clamp	1
10	10009255	螺钉 (SM1/8"×44)	Screw (SM1/8"×44)	4
11	10011349	针夹过线板	Thread Retainer Disc Support	1
12	10011345	针夹过线压板	Needle Thread Retainer Disc	1
13	10011338	弹簧	Spring	1
14	10011348	螺钉 (SM1/8"×44)	Screw (SM1/8"×44)	1
15	10011627	绷针过线勾	Top Cover Thread Eyelet	1
16	*	机针	Needle	3
17-1	10013017	针杆曲柄	Counterweight	1
17-2	10012239	针杆曲柄	Counterweight	1
18	10011582	螺钉 (SM5/16"×24)	Screw (SM5/16"×24)	2
19	10010953	螺钉 (M5×10)	Screw (M5×10)	1
20	10011622	垫圈	Washer	1
21	10011629	针杆连杆	Connecting Rod	1
22	10007398	轴承	Bearing	1
23	10011175	橡胶塞	Plug	1
24	10008066	油线 $\phi 2.5 \times 48$	Oil Wick	1
25	10011169	销	Pin	1
26	10011619	针杆滑块导轨	Needle Bar Guide	1
27	10009103	螺钉 (M4×16)	Screw (M4×16)	2
28	10011340	针杆滑块	Slide Block	1
29	10011165	罩板销	Pin	1
30	10009074	螺钉 (M4×4)	Screw (M4×4)	1
31	10011173	针杆连杆后罩	Connecting Rod Cover (Rear)	1
32	10013040	螺钉 (M3×6)	Screw (M3×6)	2
33	10011581	针杆连接前罩	Connecting Rod Cover (Front)	1
34	10010837	螺钉 (M4×5)	Screw (M4×5)	1
35	*	针板	Stitch Plate	1
36	10010833	螺钉 (SM9/64"×40)	Screw (SM9/64"×40)	2



抬压脚部件

PRESSER FOOT MECHANISM

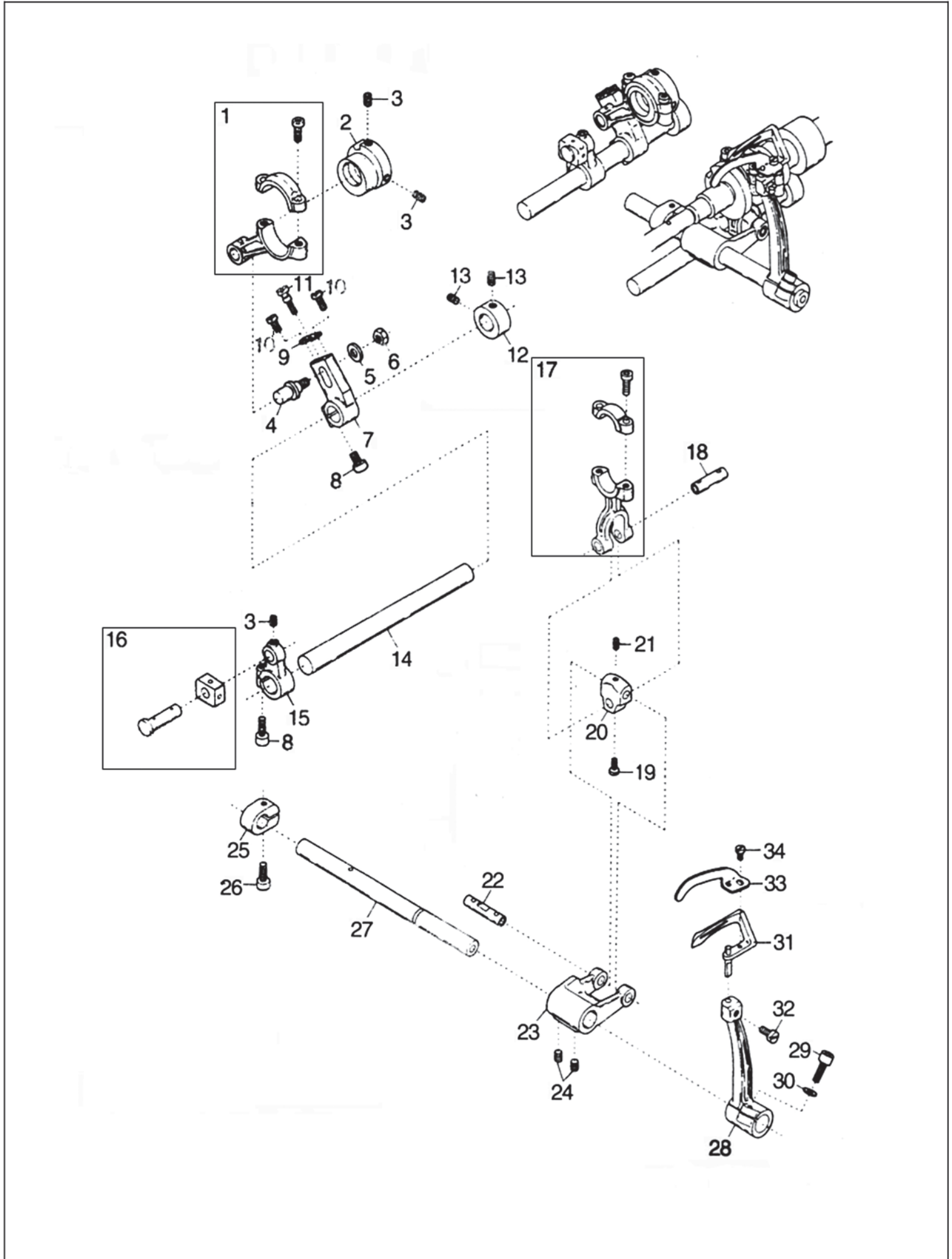
序号 No.	件号 Pars No.	名称	Description	数量 Number
1	10004127	螺钉	Screw	1
2	10011913	螺母	Nut	1
3	10010492	调压簧	Spring	1
4	10011879	压杆导架组件	Presser Bar Connecting Bracket	1
5	10009037	螺钉(M4×12)	Screw(M4×12)	1
6	10011883	压杆导轨	Presser Bar Guide	1
7	10013732	螺钉(SM11/64"×40)	Screw(SM11/64"×40)	2
8	10011888	弹簧	Spring	1
9	10011885	压杆	Presser Bar	1
10	10011457	压紧杆防油罩	Oil Protector Cover	1
11	10011108	轴套	Bushing	1
12	10011180	油封	Gasket	1
13	10011878	挡圈	Collar	1
14	10011887	螺钉(SM9/64"×40)	Screw(SM9/64"×40)	2
15	10011912	割线刀	Cutter	1
16	10011877	螺钉(M3×3.5)	Screw(M3×3.5)	1
17	*	压脚组件	Presser Foot, Complete Set	1
18	10010521	杠杆螺纹销	Pin	1
19	10010493	抬压脚复位扭簧2	Spring	1
20	10010463	抬压脚杠杆	Presser Foot Lever	2
21	10010649	挡圈	Collar	2
22	10013217	螺钉(SM3/16"×40)	Screw(SM3/16"×40)	2
23	10010464	抬压脚拉杆	Presser Foot Rod	1
24	10010524	后杠杆螺纹销	Pin	1
25	10010468	抬压脚连接板	Connecting Plate	1
26	10003496	螺钉	Screw	2
27	10010458	抬压脚曲柄	Lifter Lever	1
28	10011664	螺钉(SM15/64"×28)	Screw(SM15/64"×28)	1
29	10011886	销	Pin	1
30	10003248	挡圈	Collar	1
31	10010487	抬压脚升降板	Lifter Link Plate	1
32	10010904	螺钉(SM9/64"×40)	Screw(SM9/64"×40)	2
33	10011889	抬压脚限位板	Lifter Lever Stop	1
34	10010469	抬压脚凸轮板组件	Lifter Lever	1
35	10011105	轴套	Bushing	1
36	10010495	抬压脚复位扭簧1	Spring	1
37	10002772	销	Pin	1
38	10011617	抬压脚松线曲柄	Tension Release Lever	1
39	10011628	销	Pin	1
40	10011625	螺钉(SM11/64"×40)	Screw(SM11/64"×40)	1
41	10014069	松线曲柄轴组件	Tension Release Shaft	1
42	10011880	弹簧	Spring	1
43	10011881	机针前护架	Finger Guard	1
44	10011882	螺钉(M3×4.6)	Screw(M3×4.6)	1
45	10011884	抬压脚链钩销	Pin	1
46	10003084	螺母	Nut	1
47	10004599	橡胶罩	Seal Pulg	2



绷针部件

SPERADER MECHANISM

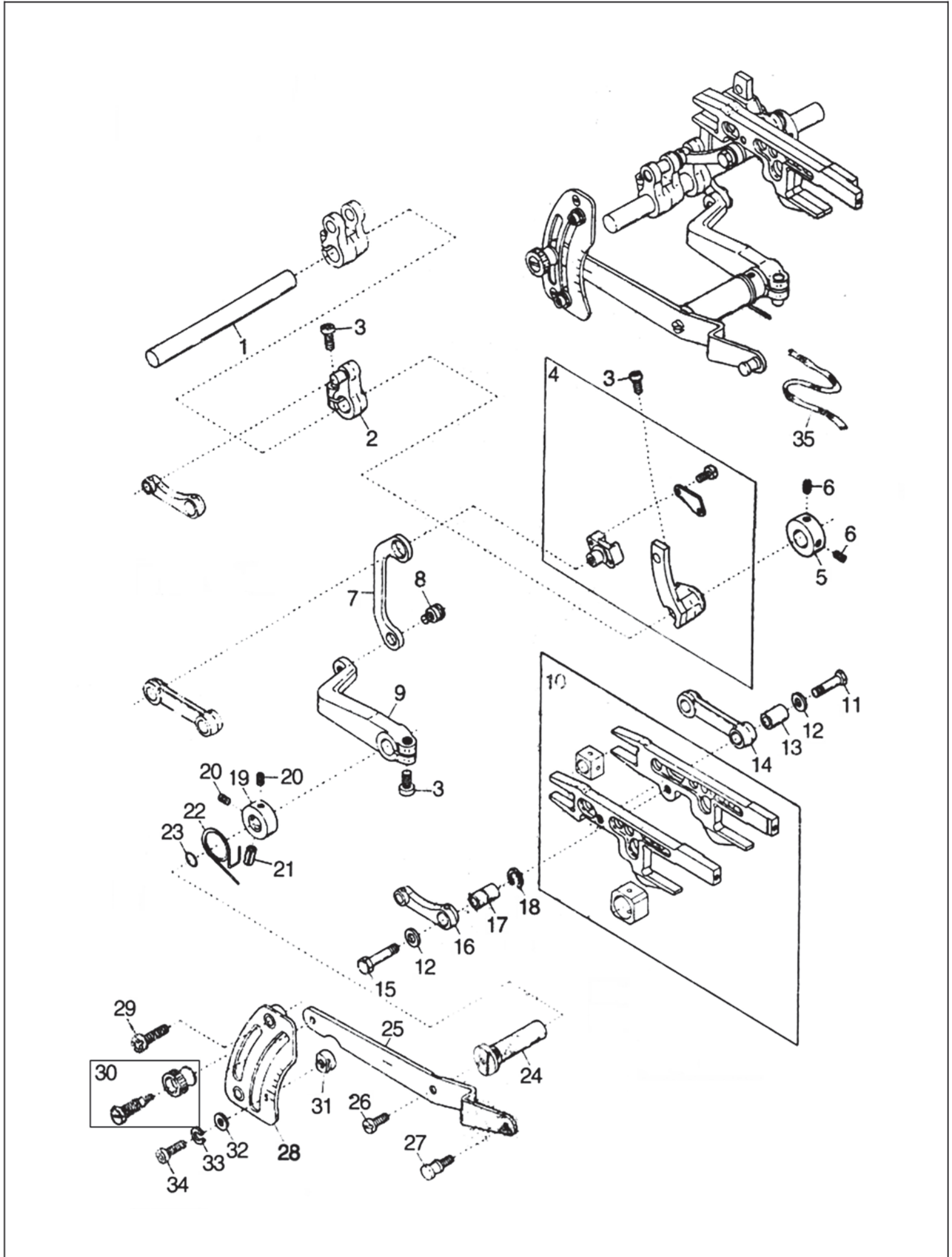
序号 No.	件号 Pars No.	名称	Description	数量 Number
1	20001428	绷针偏心轮组件	Connecting Rod, Complete Set	1
2	10011074	绷针偏心轮	Eccentric	1
3	10007400	轴承	Bearing	1
4	10011071	偏心轮连杆	Connecting Rod	1
5	10012162	螺钉 (M5×5)	Screw (M5×5)	2
6	10007935	挡圈	Collar	1
7	10011005	螺钉 (M4×9)	Screw (M4×9)	1
8	10011055	垫圈	Washer	1
9	10011053	调整曲柄销	Pin	1
10	10012393	垫圈	Washer	1
11	10003084	螺母	Nut	1
12	10013016	挡圈	Collar	1
13	10013015	螺钉 (SM11/64"×40)	Screw (SM11/64"×40)	2
14	10011073	绷针调整曲柄	Adjusting Lever	1
15	10009008	螺钉 (M6×16)	Screw (M6×16)	1
16	10011658	绷针轴	Driving Shaft	1
17	10011116	轴套	Bushing	1
18	10011106	轴套	Bushing	1
19	10007588	绷针曲柄轴连杆组件	Needle Bar Rocking Arm, Complete Set	1
20	10011666	绷针轴连杆	Rocking Arm	1
21	10011651	绷针连接柱	Rocking Pin	1
22	10011656	绷针曲柄轴	Spreader Bar	1
23	10010907	螺钉 (M6×6)	Screw (M6×6)	2
24	10011110	轴套	Bushing	1
25	10011657	油封	Gasket	1
26	10011665	垫圈	Washer	1
27	10011722	挡圈	Collar	1
28	10011887	螺钉 (SM9/64"×40)	Screw (SM9/64"×40)	2
29	10011659	绷针摆动曲柄	Spreader Holder	1
30	10011662	绷针	Spreader	1
31	10009037	螺钉 (M4×12)	Screw (M4×12)	2



弯针部件

LOOPER DRIVING MECHANISM

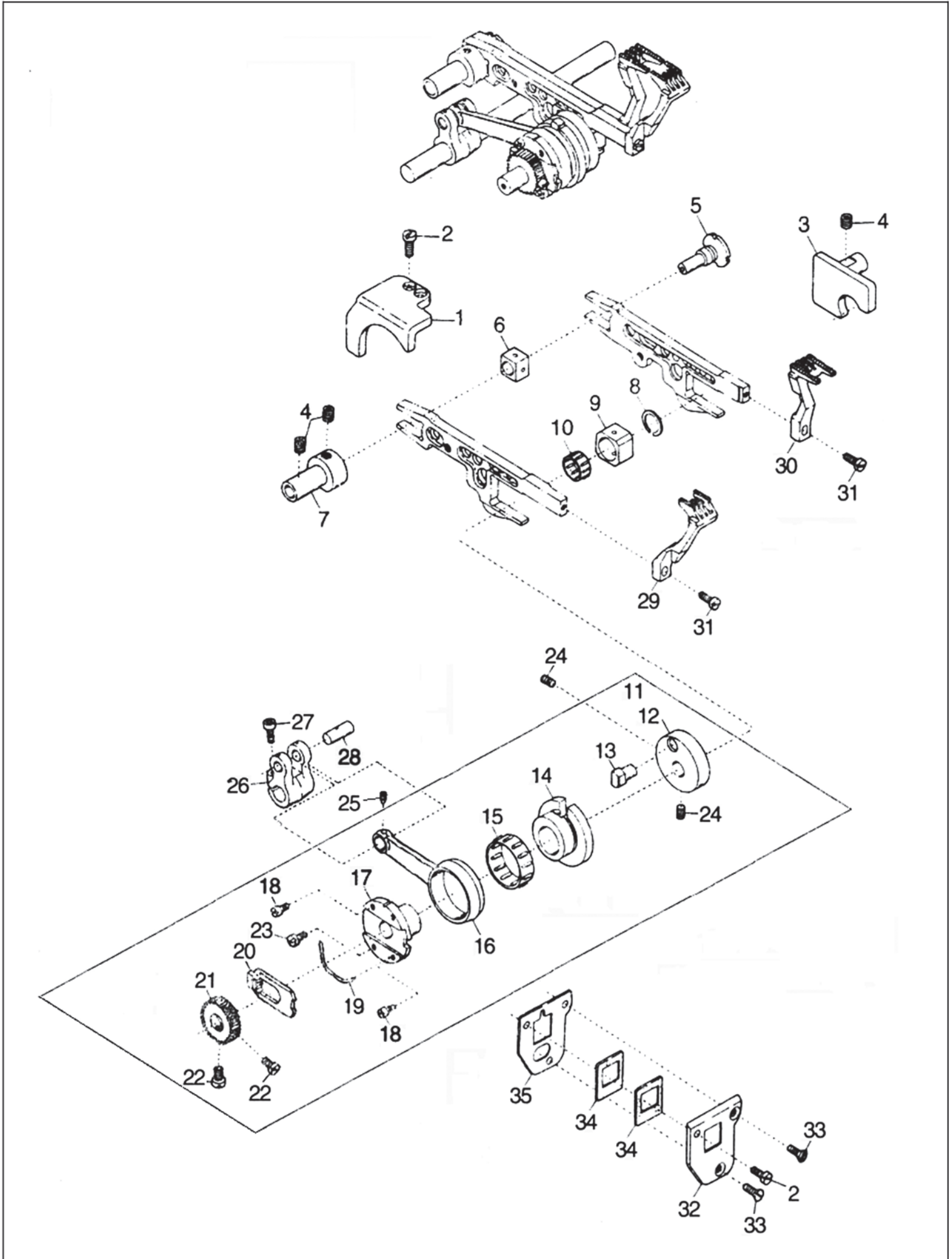
序号 No.	件号 Pars No.	名称	Description	数量 Number
1	10010951	弯针前后摆动连杆组件	Looper Rocker Connecting Rod	1
2	10010926	弯针前后摆动偏心轮	Looper Rocker Eccentric	1
3	10012162	螺钉 (M5×5)	Screw (M5×5)	3
4	10011660	摆动调整曲柄销	Pin	1
5	10011653	垫圈	Washer	1
6	10009467	螺母	Nut	1
7	10011655	弯针前后摆动调整曲柄	Looper Rocker Lever	1
8	10011376	螺钉 (M5×12)	Screw (M5×12)	2
9	10011661	摆动曲柄调节板	Looper Rocker Adjusting Guide Plate	1
10	10009676	螺钉 (M2.5×6)	Screw (M2.5×6)	2
11	10011654	螺钉	Screw	1
12	10014080	挡圈	Collar	1
13	10009074	螺钉 (M4×4)	Screw (M4×4)	2
14	10011946	弯针摆动轴	Looper Rocker Shaft	1
15	10011652	弯针前后摆动曲柄	Looper Rocker Arm	1
16	10007591	弯针前后摆动曲柄销滑块组件	Looper Slide Block Pin Sets	1
17	10004350	弯针球连杆组件	Looper Connecting Rod	1
18	10011954	弯针左右摆动曲柄销	Pin	1
19	10013015	螺钉 (SM11/64"×40)	Screw (SM11/64"×40)	1
20	10004479	弯针球连杆导向块	Looper Driving Lever Link	1
21	10011070	螺钉 (SM11/64"×40)	Screw (SM11/64"×40)	1
22	10004478	弯针球连杆导向块销	Pin	1
23	10004470	弯针左右摆动曲柄	Looper Driving Lever	1
24	10010907	螺钉 (M6×6)	Screw (M6×6)	2
25	10011951	摆动曲柄滑块挡块	Collar	1
26	10014395	螺钉 (M4×14)	Screw (M4×14)	1
27	10011949	弯针轴	Looper Bar	1
28	10014096	弯针曲柄	Looper Holder	1
29	10012073	螺钉 (M5×16)	Screw (M5×16)	1
30	10003073	垫圈	Washer	1
31	10011948	弯针	Looper	1
32	10012032	螺钉 (M4×7)	Screw (M4×7)	1
33	10014097	弯针前保针板	Needle Guard	1
34	10014098	螺钉 (SM3/32"×56)	Screw (SM3/32"×56)	1



差动送料部件

FEED DRIVING COTROOL MECHANISM

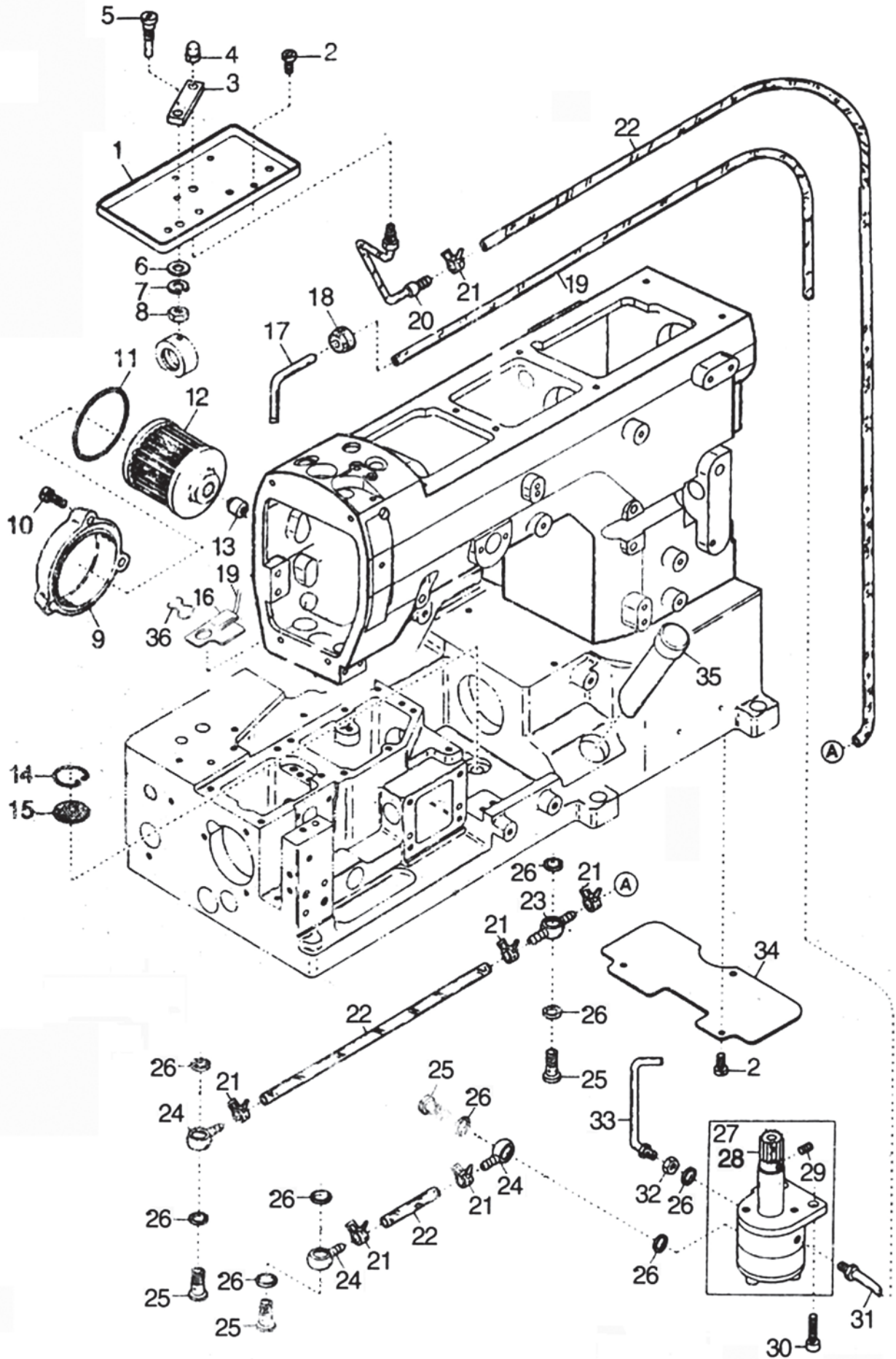
序号 No.	件号 Pars No.	名称	Description	数量 Number
1	10011900	送料轴	Feed Bar Driving Shaft	1
2	10012056	送料牙架调节曲柄	Main Feed Bar Lever	1
3	10011313	螺钉(M6×12)	Screw(M6×12)	3
4	10011901	差动调整曲柄组件	Differential Rocker, C.Set	1
5	10011893	挡圈	Collar	1
6	10012162	螺钉(M5×5)	Screw(M5×5)	2
7	10011899	差动牙架调整连杆	Slider Link	1
8	10011898	螺钉(SM15/64"×28)	Screw(SM15/64"×28)	1
9	10011848	差动曲柄	Differential Lever(Inner)	1
10	10006766	牙架组件	Feed Bar, C.Set	1
11	10011960	螺钉(M5×21.5)	Screw(M5×21.5)	1
12	10011961	垫圈	Washer	2
13	10011953	差动牙架连杆衬套	Connection Bushing	1
14	10011958	差动牙架连杆	Differential Feed Bar Connection	1
15	10011956	螺钉(M5×18.5)	Screw(M5×18.5)	1
16	10011952	送料牙架连杆	Main Feed Bar Connection	1
17	10011959	送料牙架连杆套	Connection Bushing	1
18	10011957	挡圈	Collar	1
19	10014080	挡圈	Collar	1
20	10009074	螺钉(M4×4)	Screw(M4×4)	2
21	10002848	销	Pin	1
22	10011890	弹簧	Spring	1
23	10009608	O形圈	O-ring	1
24	10011894	差动曲柄销	Differential Lever Shaft	1
25	10011849	差动扳手	Differential Lever(Left)	1
26	10011264	螺钉(M4×8)	Screw(M4×8)	1
27	10011891	螺钉(SM11/64"×40)	Screw(SM11/64"×40)	1
28	10013767	差动刻度板组件	Differential Feed Graduation	1
29	10010697	螺钉(M4×12)	Screw(M4×12)	2
30	10027405	螺钉螺母组件	Adjusting Nut, C.Set	1
31	10011892	螺母	Nut	2
32	10003073	垫圈	Washer	2
33	10005537	垫圈	Washer	2
34	10012028	螺钉(M5×8)	Screw(M5×8)	2
35	10008095	油线φ4×470	Oil Wick	1



送料抬牙部件

FEED DRIVING MECHANISM

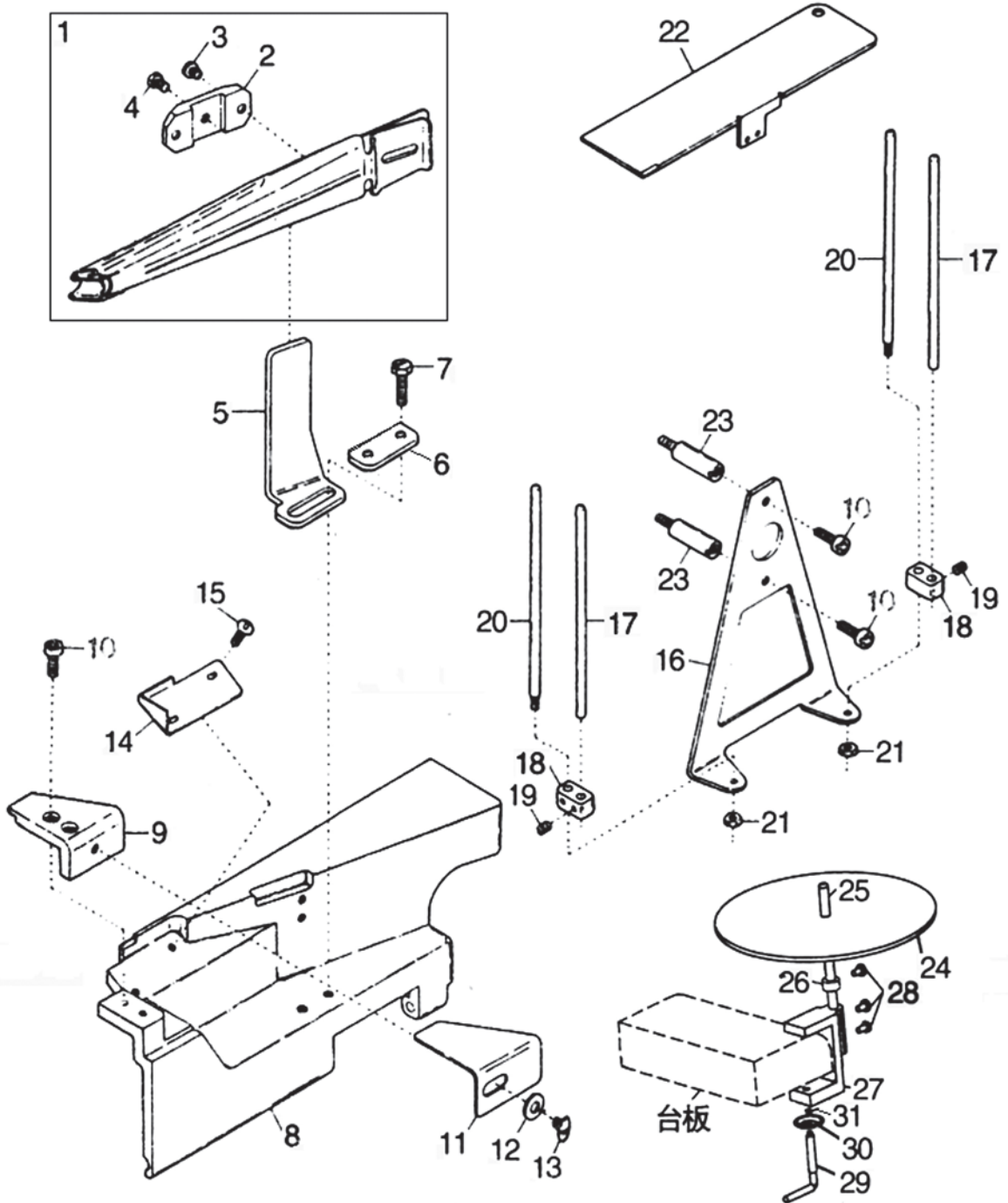
序号 No.	件号 Pars No.	名称	Description	数量 Number
1	10012054	送料牙架外挡板	Feed Bar Guide(Left)	1
2	10011264	螺钉(M4×8)	Screw(M4×8)	3
3	10012046	送料牙架内挡板	Feed Bar Guide(Right)	1
4	10010907	螺钉(M6×6)	Screw(M6×6)	3
5	10012048	送料牙架偏心销	Pin	1
6	10011993	偏心销滑块	Feed Bar Block(Rear)	1
7	10011458	调整牙架轴	Feed Bar Guide(Rear)	1
8	10012052	挡圈	Collar	1
9	10012049	抬牙滑块	Feed Bar Block(Front)	1
10	10006161	轴承	Bearing	1
11	10012051	开针凸轮组件	Feed Dog Eccentric, C. Set	1
12	10004850	开针定位销偏心轮	Feed Dog Eccentric Pin	1
13	10004844	销	Pin	1
14	10004836	开针凸轮	Feed Dog Eccentric	1
15	10004848	轴承	Bearing	1
16	10004845	送料连杆	Feed Dog Driving Connecting Rod	1
17	10004847	送料轮座	Feed Dog Regulating Eccentric	1
18	10012050	螺钉(M3×4)	Screw(M3×4)	2
19	10011995	弹簧	Spring	1
20	10004846	开针凸轮锁紧滑块	Feed Dog Regulating Plate	1
21	10004849	开针凸轮锁紧滑块座	Feed Dog Regulating Gear	1
22	10014081	螺钉(M5×8)	Screw(M5×8)	2
23	10012047	螺钉(M3×6.2)	Screw(M3×6.2)	1
24	10012162	螺钉(M5×5)	Screw(M5×5)	2
25	10009074	螺钉(M4×4)	Screw(M4×4)	1
26	10011994	送料曲柄	Feed Dog Driving Shaft Lever	1
27	10011313	螺钉(M6×12)	Screw(M6×12)	1
28	10012055	销	Pin	1
29	10011470	差动牙	Differential Feed Dog	1
30	10011466	送料牙	Main Feed Dog	1
31	10013159	螺钉(M3.5×7.5)	Screw(M3.5×7.5)	2
32	10011463	牙架外防油板	Feed Bar Shield Holder(Front)	1
33	10011049	螺钉(M4×8)	Screw(M4×8)	2
34	10011459	牙架防油隔板	Feed Bar Shield	2
35	10011469	牙架内防油板	Feed Bar Shield Holder(Rear)	1



润滑部件

LUBRICATING MECHANISM

序号 No.	件号 Pars No.	名称	Description	数量 Number
1	10011465	上轴喷油分布盘	Oil Receiver	1
2	10010837	螺钉(M4×5)	Screw(M4×5)	5
3	10011468	上轴两孔通油板	Lubricant Guiding Block	1
4	10011467	上轴喷油管嘴	Top Nozzle	1
5	10011464	螺钉	Screw	1
6	10011653	垫圈	Washer	1
7	10005537	垫圈	Washer	1
8	10009467	螺母	Nut	1
9	20003697	过滤器孔端盖	Oil Filter Cap	1
10	10009037	螺钉(M4×12)	Screw(M4×12)	3
11	10012090	O形圈	O-Ring	1
12	10014236	滤油器组件	Oil Filter	1
13	10012093	螺钉(M6×5)	Screw(M6×5)	1
14	10003330	挡圈	Collar	2
15	10012087	过滤网	Oil Filter Screen	2
16	10012328	回油毡	Felt	1
17	10012331	回油管	Suction Pipe	1
18	10012092	橡胶塞	Plug	1
19	10007795	油管 φ3.5×φ5×510	Oil Tube	1
20	10011461	上轴喷油管组件	Oil Pipe Unit	1
21	10011471	进油短油管夹	Oil Tube Clam	6
22	10007796	油管 φ4×φ6×625	Oil Tube	1
23	10012095	油泵进油分流管接头	Oil Tube Joint, Two Way	1
24	10012103	管接头	Oil Tube Joint, One Way	3
25	10012091	螺钉	Screw	4
26	10012086	垫圈	Washer	9
27	10012083	油泵组件	Oil Pump, C. Set	1
28	10004893	蜗轮	Oil Pump Driving Worm Gear	1
29	10011887	螺钉(SM9/64"×40)	Screw(SM9/64"×40)	2
30	10009008	螺钉(M6×16)	Screw(M6×16)	2
31	10014067	回油管接头组件	Suction Pipe, C. Set	1
32	10012088	螺母	Nut	1
33	10011460	回油出油管组件	Oil Nozzle For Worm Gear, C. Set	1
34	10011275	防尘板	Dustproof Plate	1
35	10011271	油标	Oil Sight Gauge Oil Receiver	1
36	10012332	回油毡夹	Felt Clam	1



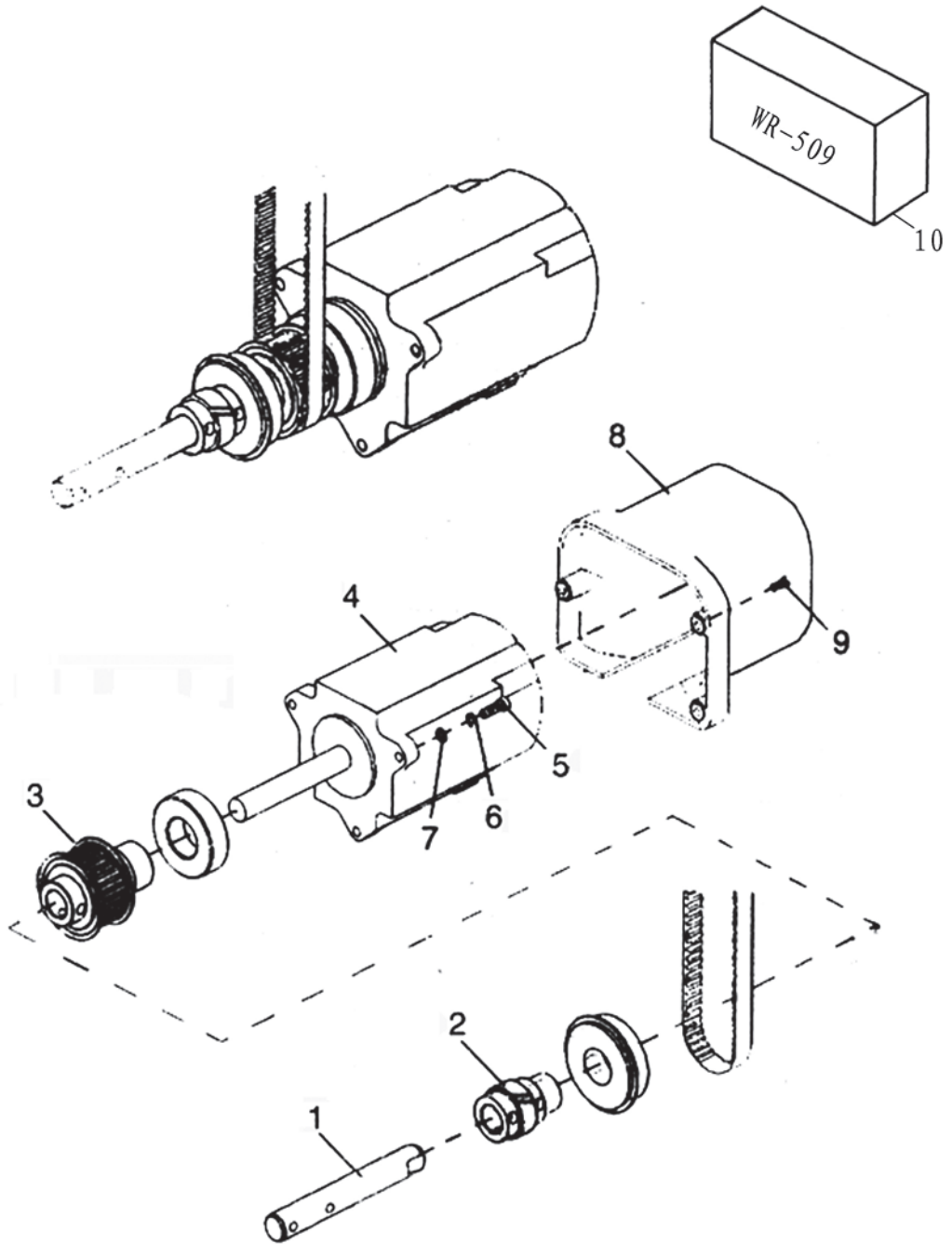
滚领专用零部件

SUBMODEL EXCLUSIVE PARTS

序号 No.	件号 Pars No.	名称	Description	数量 Number
1	10023440	卷边器大组件	Folder	1
2	10011742	卷边器支架调整压板	Folder Clamp	1
3	10012723	螺钉(M4×5)	Screw(M4×5)	2
4	10011744	螺钉(M6×5)	Screw(M6×5)	1
5	10011380	卷边器支架座	Folder Support	1
6	10011382	卷边器支座压板	Folder Disc	1
7	10012073	螺钉(M5×16)	Screw(M5×16)	2
8	20003854	底板前罩板	Front Cover	1
9	20003853	底板小前罩板	Front Cover(Small)	1
10	10011264	螺钉(M4×8)	Screw(M4×8)	4
11	10011388	送布滑板	Fabric Slide Plate	1
12	10011249	垫圈	Washer	1
13	10011379	螺钉(M5×7.5)	Screw(M5×7.5)	1
14	10011385	防尘罩	Dnstproof Cover	1
15	10011334	螺钉(M4×8)	Screw(M4×8)	2
16	10011335	导带支架	Tope Guide Holder	1
17	10011544	销	Pin	2
18	10011377	导布杆销连接座	Tape Guide Adjusting Holder	2
19	10012014	螺钉(M5×4)	Screw(M5×4)	4
20	10011549	螺钉(M5×11)	Screw(M5×11)	2
21	10009467	螺母	Nut	2
22	10011387	缝台摇板	Lopper Thread Take-up Cover	1
23	10011384	螺钉	Screw	2
24	10011909	托料盘	Knitted Tape Stand	1
25	10011903	托料盘轴	Knitted Tape Stand Crank shaft	1
26	10011902	挡圈	Collar	1
27	20003875	托料架	Support	1
28	10011969	螺钉(M6×5)	Screw(M6×5)	3
29	10011866	螺钉	Screw	1
30	10011865	夹紧盘	Adjusting Screw	1
31	10009653	挡圈	Collar	1

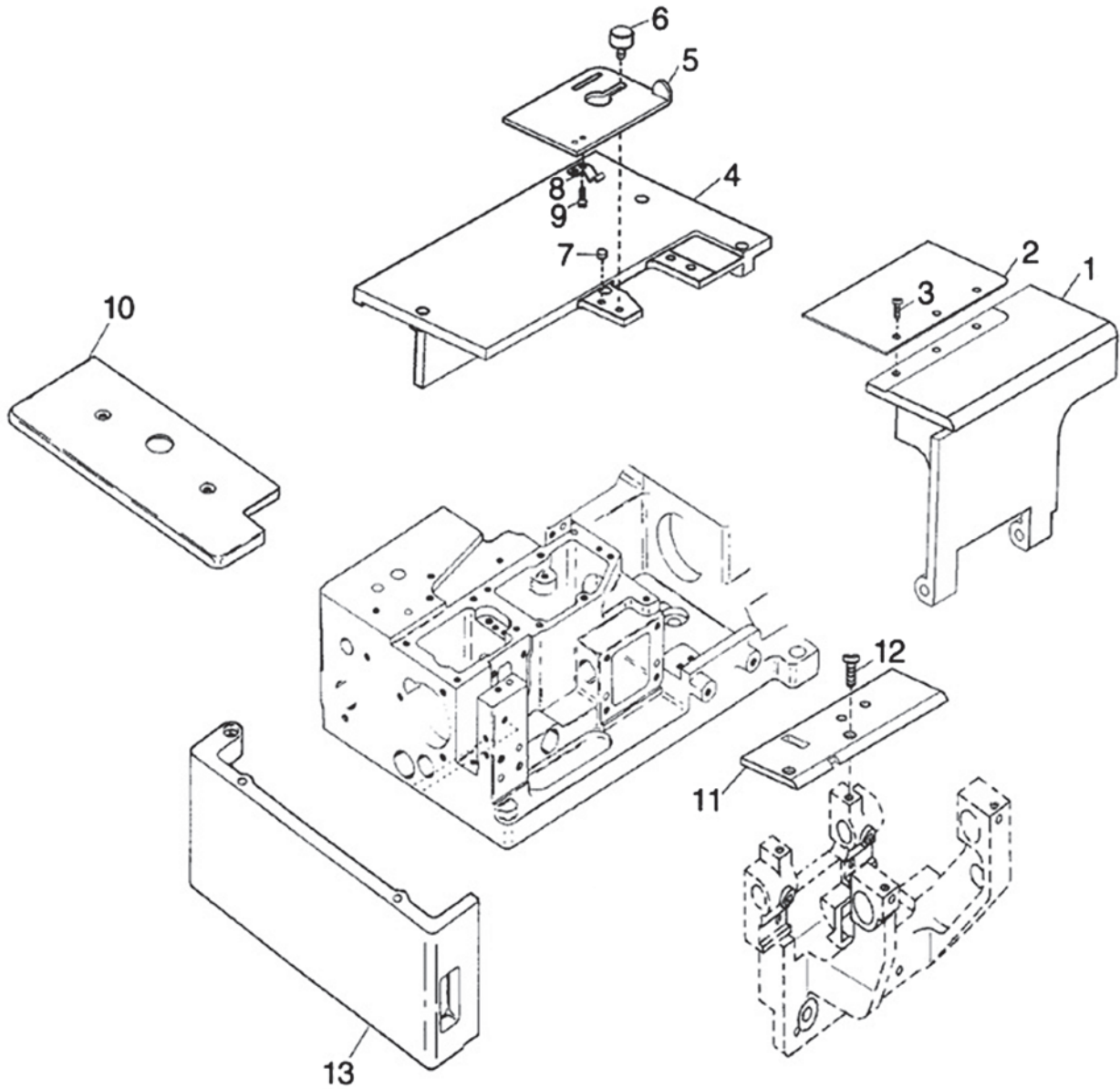
简易直驱 Simple Direct-drive

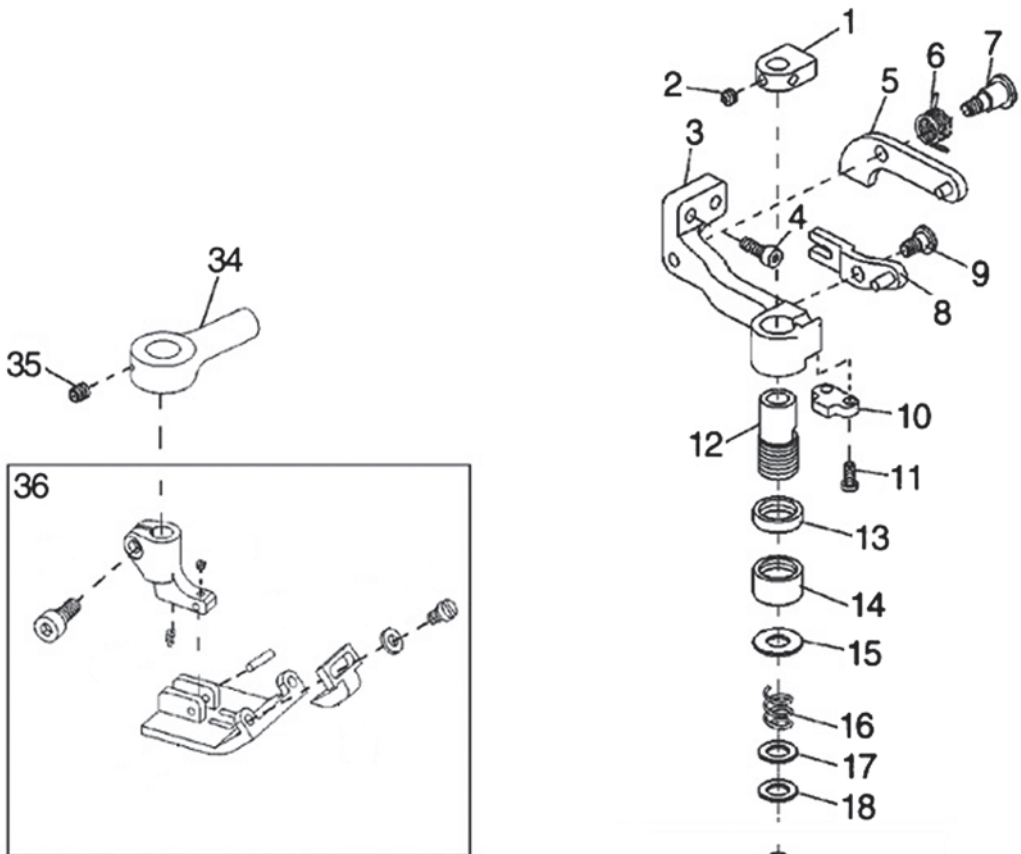
直驱马达	10028549
直驱电控箱	10028548



规格件表 / CONVERSION CHART

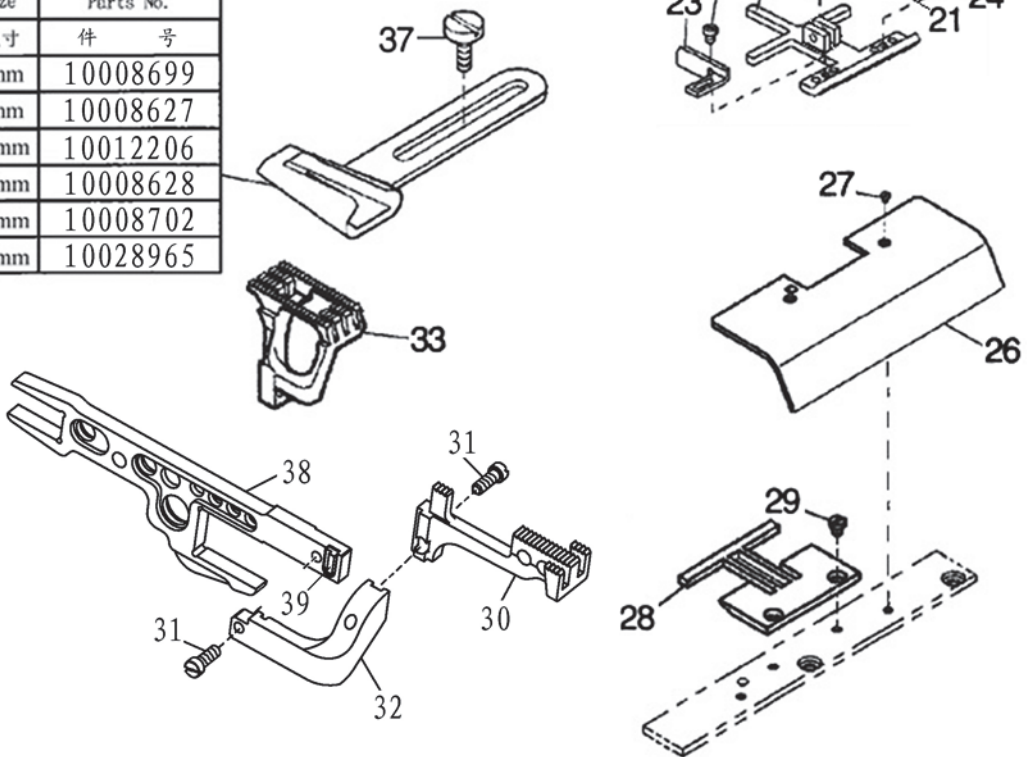
Main Parts	Needle Clamp	Presser Foot C.Set	Stitch Plate	Main Feed Dog	Slide Cover
Models	针 夹	压脚组件	针板	送料牙	缝台推板
064	10011266	10014243	10011411	10012231	10012233
056	10011608	10012216	10011363	10012212	10012221





由客户选购安装

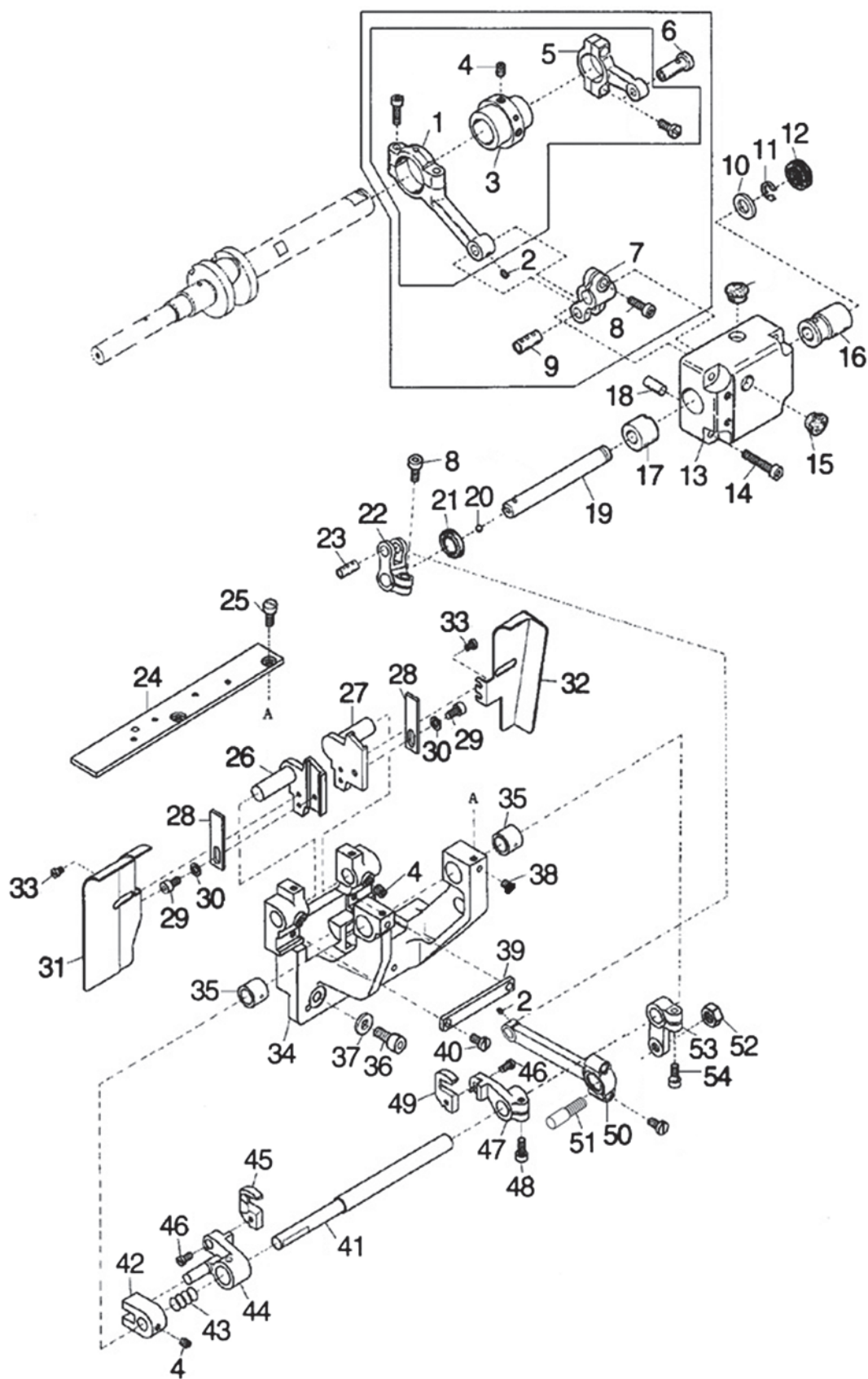
Size	Parts No.
尺寸	件号
8mm	10008699
9mm	10008627
10mm	10012206
12mm	10008628
15mm	10008702
20mm	10028965



裤襟专用零部件(2)

BELT LOOP EXCLUSIVE PARTS (2)

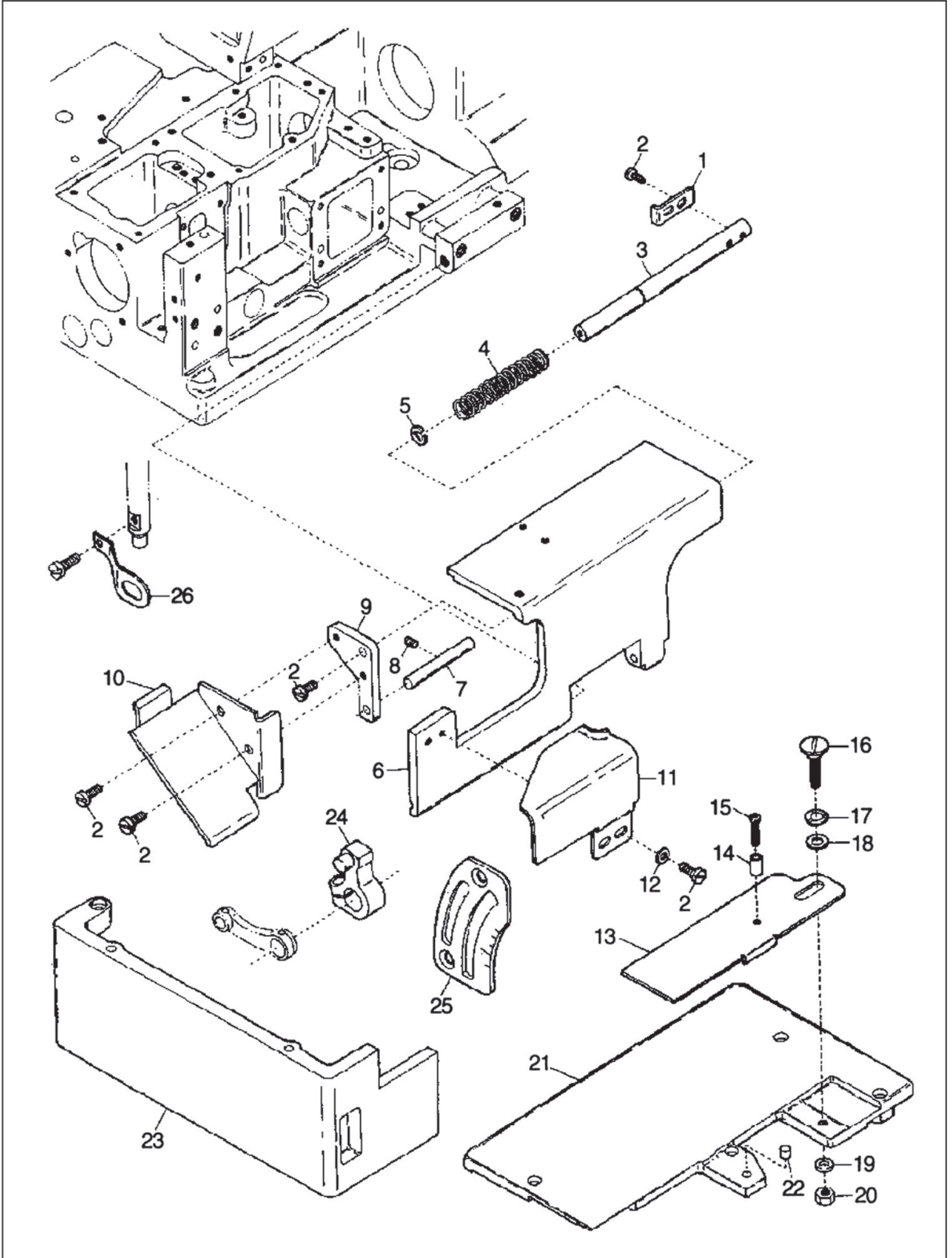
序号 No.	件号 Pars No.	名称	Description	数量 Number
1	10012214	挡圈	Collar	1
2	10009074	螺钉(M4×4)	Screw(M4×4)	2
3	10012213	前压脚支架	Support Bracket	1
4	10014395	螺钉(M4×14)	Screw(M4×14)	2
5	10012226	前压脚杠杆	Lifter Link Lever	1
6	10012196	前压脚杠杆复位扭簧	Spring	1
7	10012227	螺钉(M5×6)	Screw(M5×6)	1
8	10012198	前压脚扳手	Wrench	1
9	10012195	螺钉	Screw	1
10	10012217	前压脚轴导向块	Guide Plate	1
11	10011054	螺钉(M3.5×10)	Screw(M3.5×10)	2
12	10012193	前压脚轴套	Bushing	1
13	10012197	螺母	Nut	1
14	10012199	前压脚调压螺套	Lock Nut	1
15	10011339	垫圈	Washer	1
16	10012210	前压脚调压簧	Spring	1
17	10010932	垫圈	Washer	1
18	10010231	垫片	Washer	1
19	10012215	前压脚轴	Pin	1
20	10012205	销	Pin	1
21	10010196	螺钉(M3×3)	Screw	1
22	10012228	前压脚	Presser Foot Bottom	1
23	10012218	左导带板	Guide(L)	1
24	10012220	右导带板	Guide(R)	1
25	10009747	螺钉(SM1/8"×44)	Screw	2
26	10012391	切刀座外罩	Guide Cover	1
27	10012211	螺钉(M3.5×4)	Screw(M3.5×4)	2
28	10012209	差动牙针板	Plate	1
29	10012211	螺钉(M3.5×4)	Screw(M3.5×4)	2
30	10012207	差动牙	Feed Dog	1
31	10011054	螺钉(M3.5×10)	Screw(M3.5×10)	2
32	10012204	差动牙连接杆	Bracket	1
33	*	送料牙	Main Feed Dog	1
34	10012192	前压脚升降杆	Lever	1
35	10009074	螺钉(M4×4)	Screw(M4×4)	2
36	*	压脚组件	Presser Foot Ass' Y	1
37	10011379	螺钉(M5×7.5)	Screw(M5×7.5)	1
38	10006742	牙架组件	Feed Bar, C. Set	1
39	10005090	差动牙架定位块	Guide Plate	1



裤襻专用零部件(3)

BELT LOOP EXCLUSIVE PARTS (3)

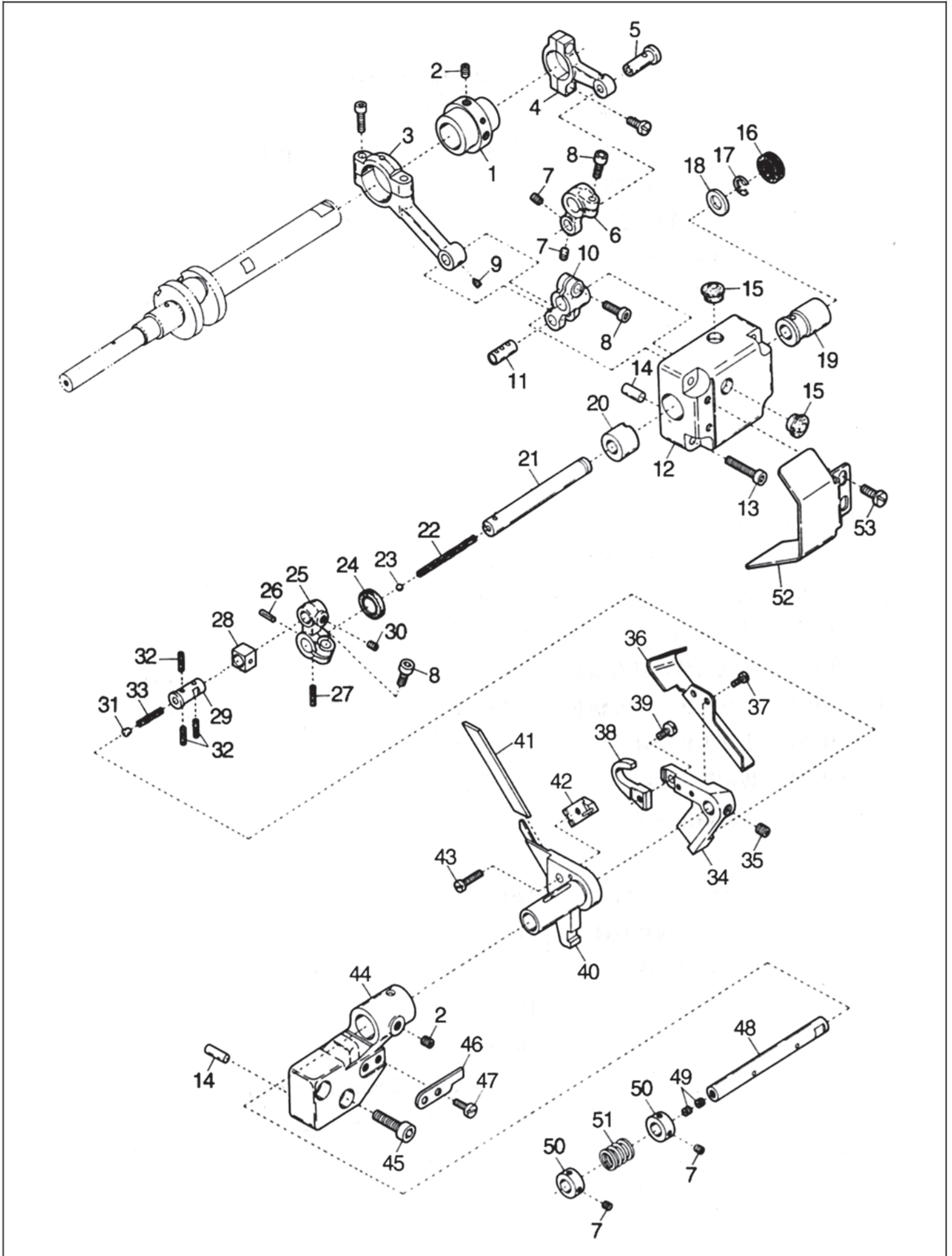
序号 No.	件号 Pars No.	名称	Description	数量 Number
1	10004620	上切刀连杆组件	Upper Knife Connecting Rod	1
2	10009240	螺钉(M3×4)	Screw(M3×4)	2
3	10004619	弯针后保针架偏心轮	Eccentric	1
4	10012162	螺钉(M5×5)	Screw(M5×5)	5
5	10004280	后保针架连杆组件	Needle Guard Connecting Rod	1
6	10010935	销	Pin	1
7	10011477	上切刀右曲柄	Upper Knife Driving Shaft Lever(R)	1
8	10011376	螺钉(M5×12)	Screw(M5×12)	2
9	10011473	上切刀连杆销	Pin	1
10	10010932	垫圈	Washer	1
11	10009654	挡圈	Collar	1
12	10010931	油封	Gasket	1
13	20004232	上切刀传动轴座	Upper Knife Driving Shaft Bracket	1
14	10012089	螺钉(M4×25)	Screw(M4×25)	4
15	10013170	橡胶塞	Plug	2
16	10011998	轴套	Bushing	1
17	10012006	轴套	Bushing	1
18	10012013	销	Pin	2
19	10011997	上切刀传动轴	Upper Knife Driving Shaft	1
20	10012007	堵塞	Seal Plug	1
21	10010927	油封	Gasket	1
22	10012175	切刀传动轴曲柄	Upper Knife Driving Shaft Lever(L)	1
23	10007548	切刀传动轴曲柄销组件	Pin	1
24	10012208	差动牙针板支架	Plate	1
25	10014441	螺钉(M4×6)	Screw(M4×6)	2
26	10012173	下切刀左安装座	Lower Knife Holder(L)	1
27	10012168	下切刀右安装座	Lower Knife Holder(R)	1
28	10012169	下切刀	Lower Knife	2
29	10012553	螺钉(M4×8)	Screw(M4×8)	2
30	10002954	垫圈	Washer	2
31	10012241	左切刀挡料板	Chip Guide Cover(L)	1
32	10012170	右切刀挡料板	Chip Guide Cover(R)	1
33	10009747	螺钉(SM1/8"×44)	Screw(SM1/8"×44)	4
34	10012094	切刀座	Base Bracket	1
35	10012163	轴套	Bushing	2
36	10009171	螺钉(M6×25)	Screw(M6×25)	2
37	10012393	垫圈	Washer	2
38	10010837	螺钉(M4×5)	Screw(M4×5)	2
39	10012176	下切刀安装座定位板	Guide Plate	1
40	10011264	螺钉(M4×8)	Screw(M4×8)	2
41	10011166	上切刀轴	Shaft	1
42	10012172	左切刀导向块	Joint Bracket	1
43	10012179	调压簧	Spring	1
44	10012164	上切刀左安装座组件	Upper Knife Bracket(L)	1
45	10012165	左切刀	Knife(L)	1
46	10013565	螺钉(SM9/64"×40)	Screw(SM9/64"×40)	2
47	10012178	上切刀右安装座	Upper Knife Bracket(R)	1
48	10000863	螺钉(M4×12)	Screw(M4×12)	1
49	10012171	右切刀	Knife(R)	1
50	10012167	切刀连杆组件	Knift Connecting Rod	1
51	10005021	螺钉(M6×16)	Screw(M6×16)	1
52	10003084	螺母	Nut	1
53	10012219	上切刀轴曲柄	Lever	1
54	10012752	螺钉(M4×10)	Screw(M4×10)	1



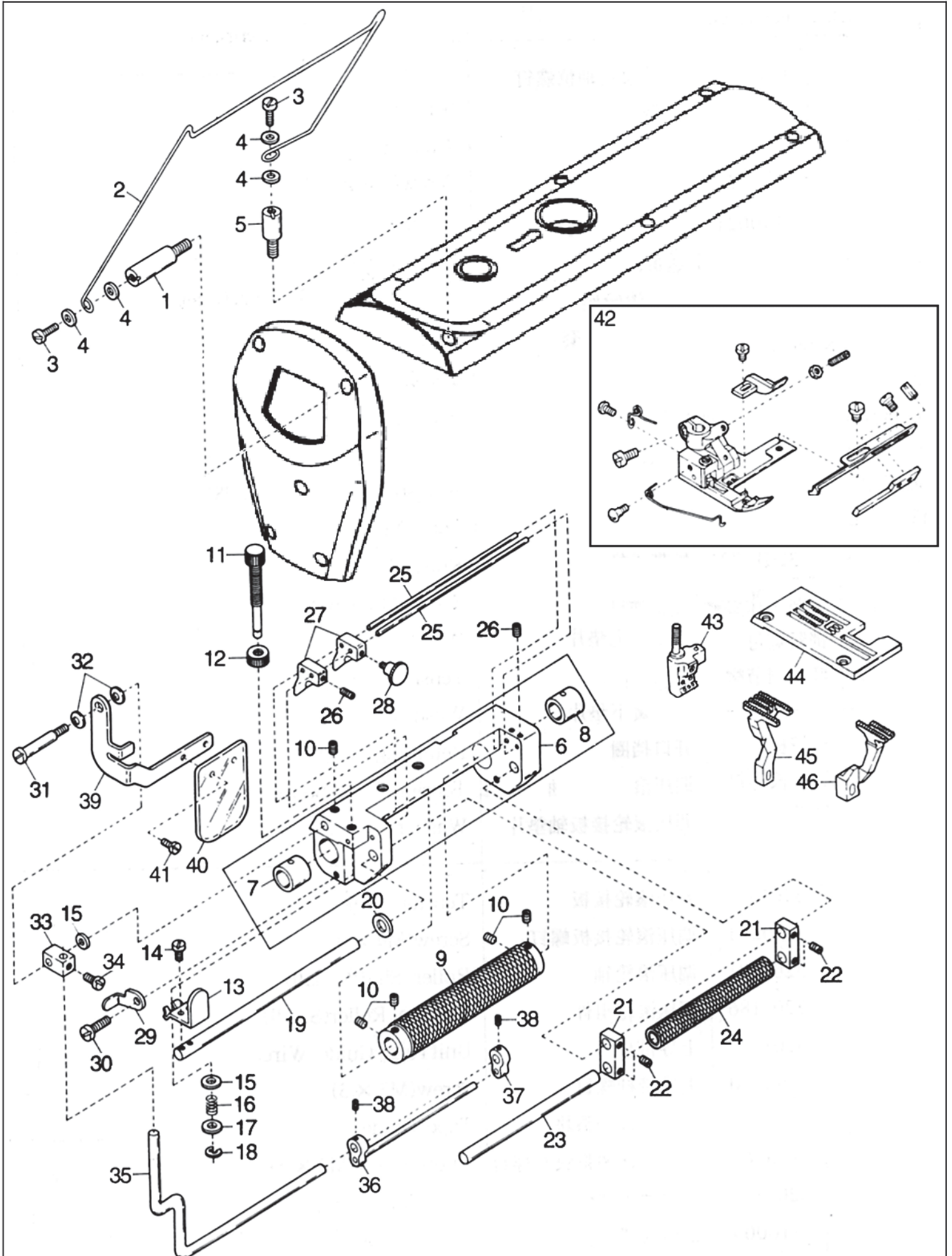
上花边专用零部件(1)

JACKET EXCLUSIVE PARTS (1)

序号 No.	件号 Pars No.	名称	Description	数量 Number
1	10011415	落料板制动块	Supplementary Front Cover Stop	1
2	10011264	螺钉(M4×8)	Screw(M4×8)	7
3	10011472	落料板滑动长轴	Supplementary Front Cover Shaft(Long)	1
4	10011414	弹簧	Spring	1
5	10009654	挡圈	Collar	1
6	20003839	底板前罩板	Front Cover	1
7	10011418	落料板滑动短轴	Supplementary Front Cover Shaft(Short)	1
8	10009074	螺钉(M4×4)	Screw(M4×4)	2
9	10011419	落料板安装板	Supplementary Front Cover Support	1
10	10011480	落料板	Supplementary Front Cover	1
11	10011475	导料板	Edge Guide	1
12	10010761	垫圈	Washer	2
13	10011417	缝台摇板	Looper Thread Take-up Cover	1
14	10011474	摇板推柄	Spacer	1
15	10003046	螺钉(M3×16)	Screw(M3×16)	1
16	10011479	螺钉(SM11/64"×40)	Screw(SM11/64"×40)	1
17	10010596	垫圈	Washer	1
18	10010835	垫圈	Washer	1
19	10011055	垫圈	Washer	1
20	10011170	螺母	Nut	1
21	20003858	缝台	Cloth Plate(Large)	1
22	10011416	缝台磁铁	Magnet	1
23	20003859	底板左侧摇罩板	Side Cover	1
24	10011613	送料牙架曲柄	Min Feed Bar Lever	1
25	10011671	差动刻度板组件	Differential Feed Graduation	1
26	10011673	机针前护架	Finger Guard	1



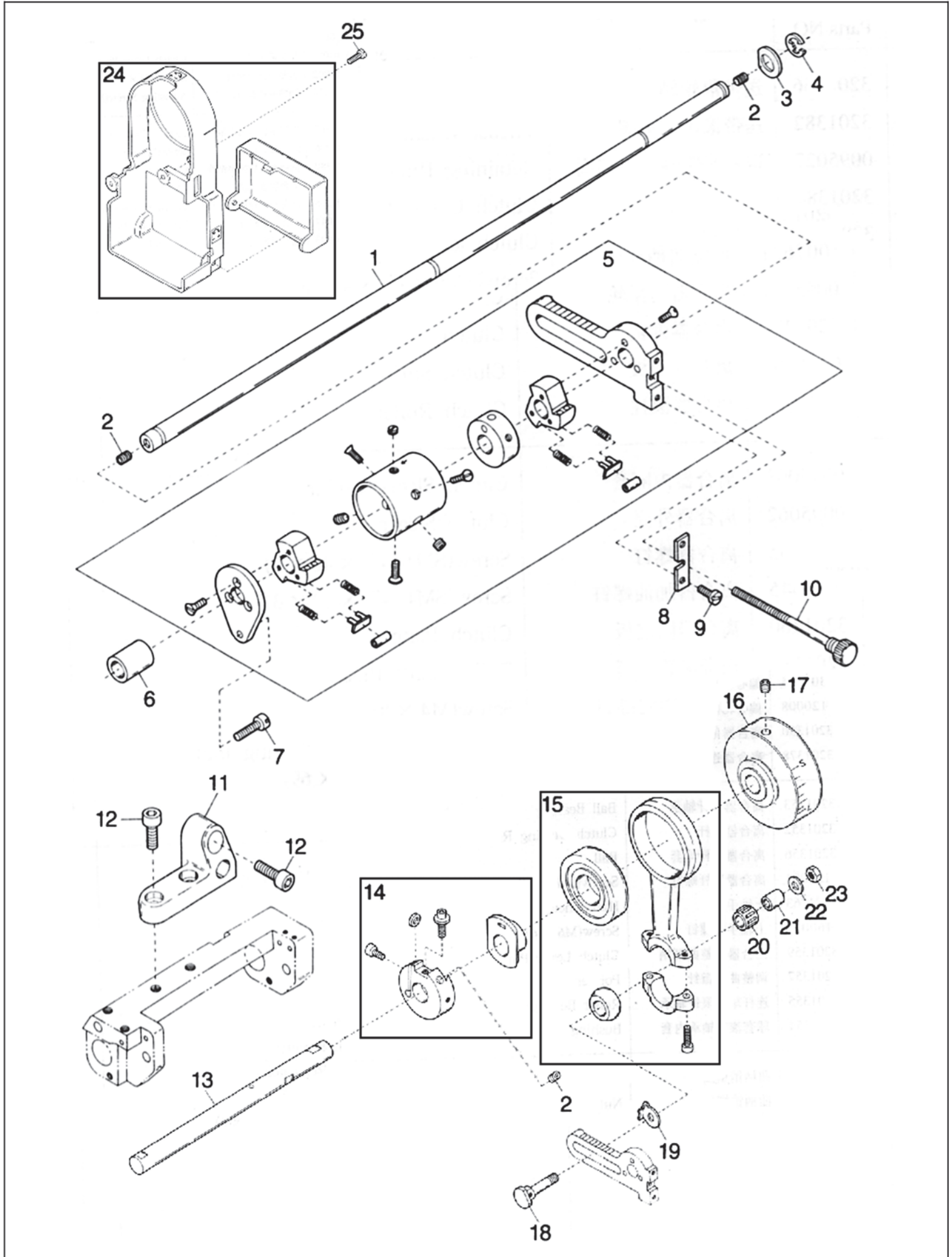
序号 No.	件号 Pars No.	名称	Description	数量 Number
1	10004619	弯针后保针架偏心轮	Upper Knife Eccentric	1
2	10012162	螺钉(M5×5)	Screw(M5×5)	3
3	10004620	上切刀连杆组件	Upper Knife Connecting Rod	1
4	10004280	后保针架连杆组件	Needle Guard Connecting Rod	1
5	10010935	销	Pin	1
6	10010930	后保针架小连杆	Needle Guard Driving Shaft Arm	1
7	10010196	螺钉(M3×3)	Screw(M3×3)	6
8	10011376	螺钉(M5×12)	Screw(M5×12)	3
9	10009240	螺钉(M3×4)	Screw(M3×4)	1
10	10011477	上切刀右曲柄	Upper Knife Driving Shaft Lever(Right)	1
11	10011473	上切刀连杆销	Pin	1
12	20004232	上切刀传动轴座	Upper Knife Driving Shaft Bracket	1
13	10012089	螺钉(M4×25)	Screw(M4×25)	4
14	10012013	销	Pin	4
15	10013170	橡胶塞	Plug	2
16	10010931	油封	Gasket	1
17	10009654	挡圈	Collar	1
18	10010932	垫圈	Washer	1
19	10011998	轴套	Bushing	1
20	10012006	轴套	Bushing	1
21	10011997	上切刀传动轴	Upper Knife Driving Shaft Lever(Left)	1
22	10008063	油线 $\phi 1.5 \times 27$	Oil Wick	1
23	10012007	堵塞	Seal Plug	1
24	10010927	油封	Gasket	1
25	10011851	上切刀左曲柄	Upper Knife Driving Shaft	1
26	10002778	销	Pin	1
27	10011856	油线	Oil Wick	1
28	10011862	上切刀滑块	Upper Knife Connecting Block	1
29	10011813	上切刀滑块销	Pin	1
30	10009074	螺钉(M4×4)	Screw(M4×4)	1
31	10004788	堵塞	Seal Plug	1
32	10008071	油线 $\phi 2 \times 1.5$	Oil Wick	3
33	10008095	油线 $\phi 4 \times 10$	Oil Wick	1
34	10012008	上切刀安装座	Upper Knife Holder	1
35	10010907	螺钉(M6×6)	Screw(M6×6)	1
36	10012009	切屑防护罩	Chip Guard	1
37	10009600	螺钉(M3×6)	Screw(M3×6)	2
38	10012002	上切刀	Upper Knife	1
39	10009586	螺钉(SM9/64"×40)	Screw(SM9/64"×40)	1
40	10012011	下切刀安装座组件	Lower Knife Holder	1
41	10004852	下切刀	Lower Knife	1
42	10012005	下切刀压块	Lower Knife Clamp	1
43	10011101	螺钉(SM11/64"×40)	Screw(SM11/64"×40)	1
44	10012010	下切刀安装座支架	Lower Knife Holder Bracket	1
45	10010997	螺钉(M6×20)	Screw(M6×20)	2
46	10011999	下切刀安装座定位板	Lower Knife Holder Locking Pin	1
47	10011264	螺钉(M4×8)	Screw(M4×8)	2
48	10012012	上切刀轴	Upper Knife Holder Pin	1
49	10011070	螺钉(SM11/64"×40)	Screw(SM11/64"×40)	2
50	10010929	挡圈	Collar	2
51	10012003	弹簧	Spring	1
52	10012000	防油罩	Oil Defender	1
53	10010837	螺钉(M4×5)	Screw(M4×5)	2



上花边专用零部件(3)

JACKET EXCLUSIVE PARTS (3)

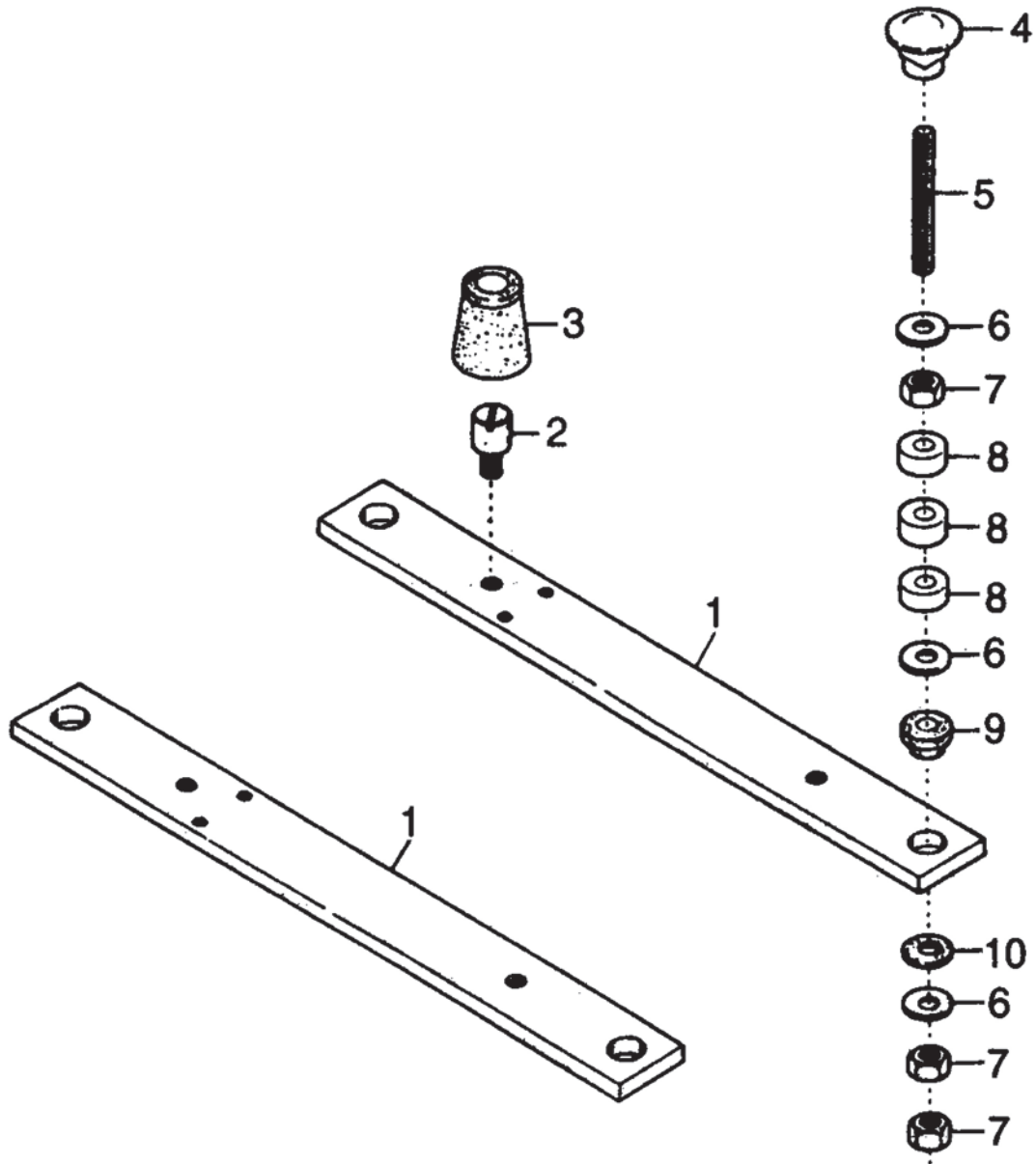
序号 No.	件号 Pars No.	名称	Description	数量 Number
1	10011810	螺钉(M4×12)	Screw(M4×12)	1
2	10011808	托带架	Tape Holder	1
3	10011044	螺钉(M4×10)	Screw(M4×10)	2
4	10010761	垫圈	Washer	4
5	10011807	螺钉(M4×12)	Screw(M4×12)	1
6	20003861	送带滚轮座	Tension Roller Holder	1
7	10010751	轴套	Bushing	1
8	10011857	轴套	Bushing	1
9	10011614	送带滚轮	Tension Roller(Large)	1
10	10009074	螺钉(M4×4)	Screw(M4×4)	5
11	10011812	螺钉	Screw	1
12	10011859	螺母	Nut	1
13	10011816	松带手柄	Roller Lever	1
14	10009600	螺钉(M3×6)	Screw(M3×6)	2
15	10012318	垫圈	Washer	2
16	10011858	弹簧	Spring	1
17	10003083	垫圈	Washer	1
18	10003248	挡圈	Collar	1
19	10011850	调压滚轮接板轴	Tension Link Shaft	1
20	10010835	垫圈	Washer	1
21	10011811	调压滚轮接板	Tension Link	2
22	10009074	螺钉(M4×4)	Screw(M4×4)	4
23	10011817	调压滚轮轴	Roller Shaft(Small)	1
24	20002481	调压滚轮组件	Tension Roller(Small)	1
25	10011815	上导带杆	Unit Tape Guide Wire	2
26	10010196	螺钉(M3×3)	Screw(M3×3)	3
27	10011852	上导带调整块	Tape Guide	2
28	10011860	螺钉	Screw	1
29	10011854	下导带止动板	Tape Guide Stop	1
30	10011264	螺钉(M4×8)	Screw(M4×8)	1
31	10010795	螺钉	Screw	1
32	10010793	垫圈	Washer	2
33	10011675	下导带长杆固定块	Tape Guide Bar Holder	1
34	10013015	螺钉(SM11/64"×40)	Screw(SM11/64"×40)	1
35	10011674	下导带长杆	Tape Guide Bar(Long)	1
36	10011669	下导带杆短杆组件	Tape Guide Unit	1
37	10011668	下导带调整块	Tape Guide	1
38	10009255	螺钉(SM1/8"×44)	Screw(SM1/8"×44)	2
39	10011615	安全板架	Eye Guard Support	1
40	10011164	安全板	Eye Guard	1
41	10011670	螺钉(M2.5×4.5)	Screw(M2.5×4.5)	2
42	*	压脚组件	Presser Foot, C. Set	1
43	*	针夹	Needle Clamp	1
44	*	针板	Stitch Plate	1
45	*	送料牙	Main Feed Dog	1
46	*	差动牙	Differential Feed Dog	1

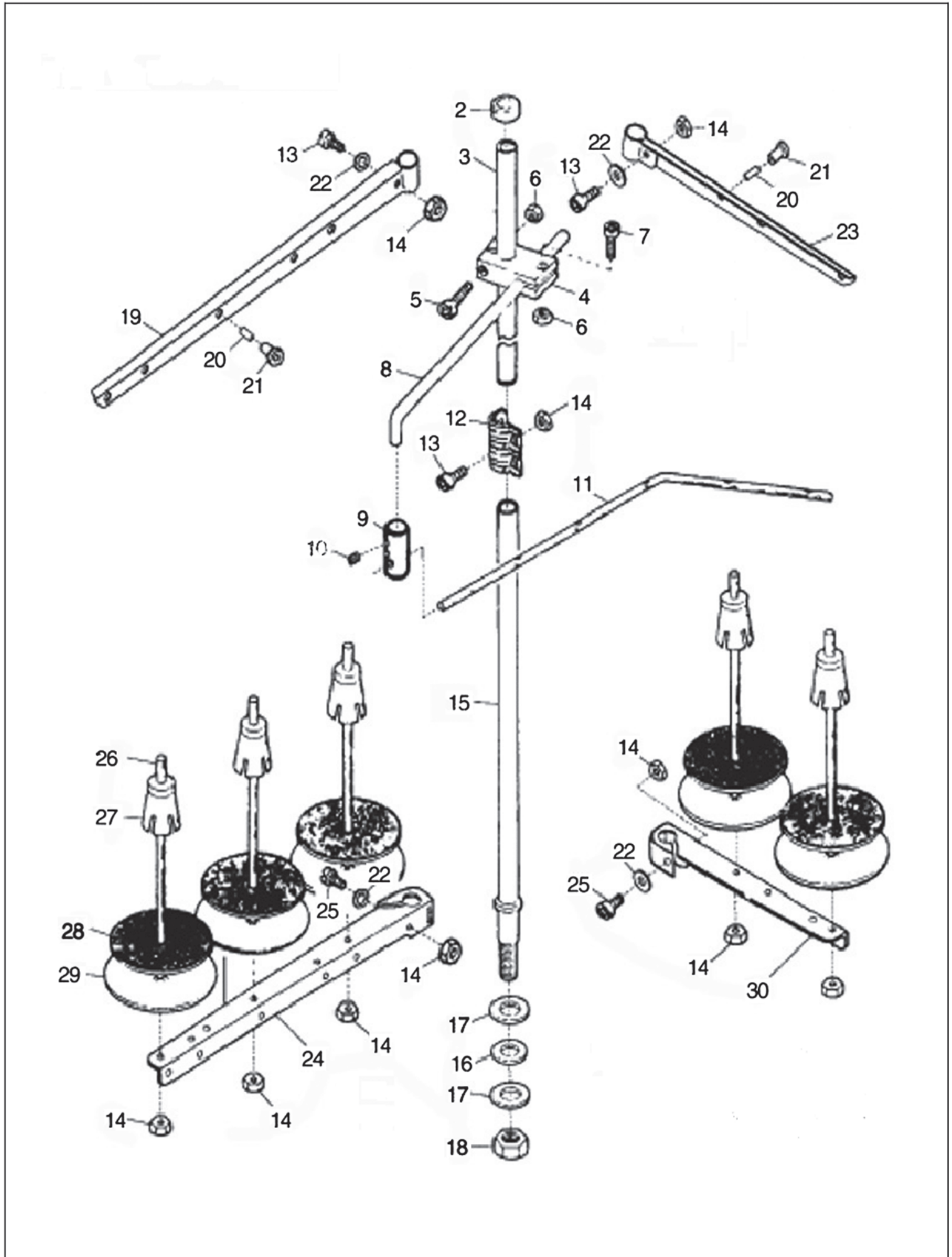


上花边专用零部件(4)

JACKET EXCLUSIVE PARTS (4)

序号 No.	件号 Pars No.	名称	Description	数量 Number
1	10011814	送带滚轮轴	Roller Shaft	1
2	10012162	螺钉(M5×5)	Screw(M5×5)	4
3	10011861	垫圈	Washer	1
4	10003273	挡圈	Collar	1
5	10011809	离合器	Clutch, C. Set	1
6	10011853	轴套	Bushing	1
7	10011264	螺钉(M4×8)	Screw(M4×8)	1
8	10011855	调整曲柄板	Clutch Lever Pin Adjusting Plate	1
9	10013040	螺钉(M3×6)	Screw(M3×6)	2
10	10014231	螺钉	Screw	1
11	20003860	送带滚轮座固定架	Tension Roller Holder Bracket	1
12	10011313	螺钉(M6×12)	Screw(M6×12)	4
13	10011554	上轴后节轴	Upper Shaft(Right)	1
14	10011610	离合器偏心轮组件	Clutch Eccentric, C. Set	1
15	10011551	离合器连杆	Clutch Driving Rod	1
16	20003814	手轮	Handwheel	1
17	10010907	螺钉(M6×6)	Screw(M6×6)	2
18	10011555	离合器调整曲柄销	Pin	1
19	10011609	调整曲柄指针	Pointer	1
20	10021296	轴承	Bearing	1
21	10011552	球套滚针轴承内套	Bushing	1
22	10003019	垫圈	Washer	1
23	10003084	螺母	Nut	1
24	10011806	离合器连杆护罩组件	Clutch Rod Cover, C. Set	1
25	10011044	螺钉(M4×10)	Screw(M4×10)	2

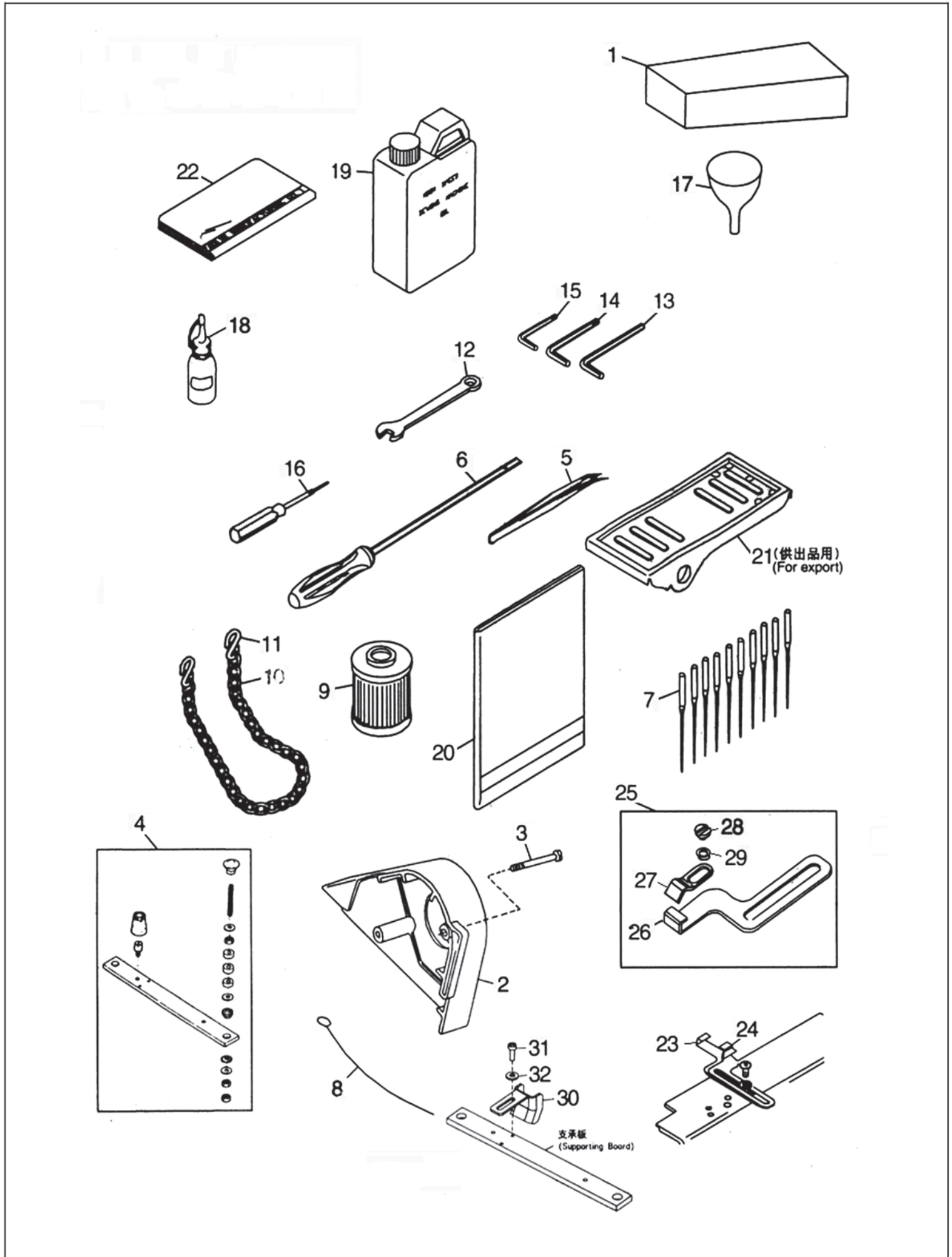




线架

THREAD STAND

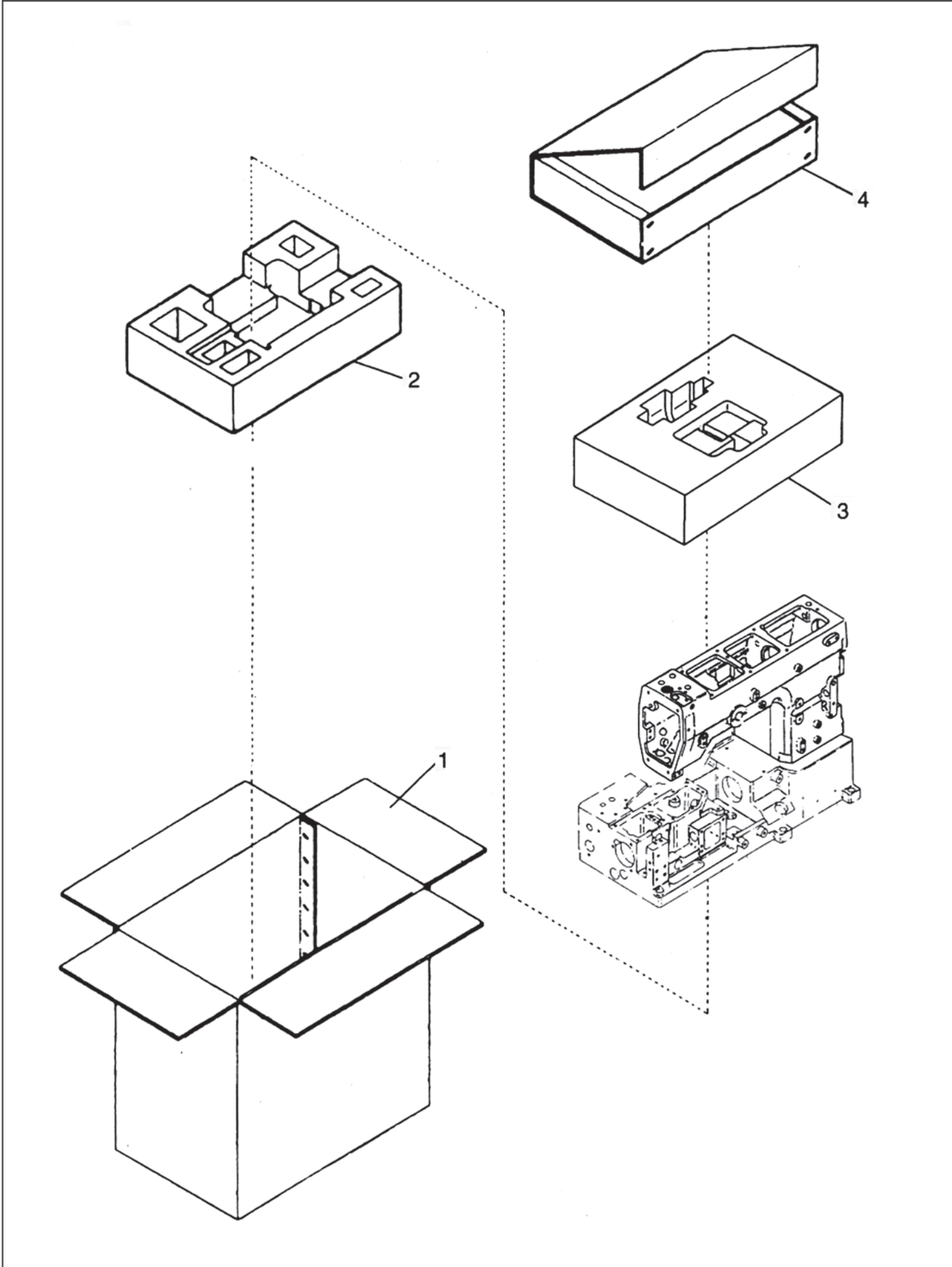
序号 No.	件号 Pars No.	名称	Description	数量 Number
1	10004956	五线线架部件	Thread Stand	
2	10004282	线架上撑管套	Column Cop	1
3	10004293	线架上撑管	Column Pipe	1
4	10004335	保持架	Thread Guide Holder	1
5	10002937	螺钉 (M4×25)	Screw (M4×25)	1
6	10005297	螺母	Nut	2
7	10002958	螺钉 (M4×12)	Screw (M4×12)	1
8	10004346	过线杆支杆	Thread Guide Arm	1
9	10004334	过线杆支柱	Thread Guide Holder	1
10	10002851	螺钉 (M6×5)	Screw (M6×5)	2
11	10006076	过线杆	Thread Guide	1
12	10004286	撑管夹	Column Pipe Connector	1
13	10003301	螺钉 (M5×14)	Screw (M5×14)	4
14	10002953	螺母	Nut	11
15	10004291	线架下撑管	Column Pipe	1
16	10004295	垫圈	Washer	1
17	10004290	垫圈	Washer	2
18	10002985	螺母	Nut	1
19	10006345	上过线架	Thread Hanger	1
20	10004289	过线管	Thread Guide Pipe	5
21	10004285	过线管套	Thread Guide Bushing	5
22	10003022	垫圈	Washer	4
23	10004298	上过线架	Thread Hanger	1
24	10006351	下过线架	Thread Hanger	1
25	10003312	螺钉 (M5×30)	Screw (M5×30)	2
26	10004288	线轴	Spool Pin	5
27	10004287	线盘塑料压块	Spool Cushion	5
28	10004281	线盘软垫	Spool Mat	5
29	10004299	线盘	Spool Seat Disc	5
30	10004284	下过线架	Thread Hanger	1



附件盒

ATTACHMENT BOX

序号 No.	件号 Pars No.	名称	Description	数量 Number
1	10004956	五线线架部件	Thread Stand	1
2	10011274	皮带护罩	Beef Cover	1
3	10011272	螺钉(M6×46)	Screw(M6×46)	2
4		支承板组件	Supporting Board, C.Set	1
5	10004247	镊子组件	Thread Tweezers	1
6	10013982	平口开刀	Screwdriver	1
7	*	机针	Needle	10
8	10011273	穿线勾	Hook	1
9	10014236	滤油器组件	Oil Filter	1
10	10011360	踏板链条	Chain	1
11	10014203	链勾	Hook	2
12	10014122	扳手7#	Spanner(7#)	1
13	10009687	内六角扳手4#	Hexagonal Wrench(4#)	1
14	10009685	内六角扳手3#	Hexagonal Wrench(3#)	1
15	10009686	内六角扳手2.5#	Hexagonal Wrench(2.5#)	1
16	10009270	内六角开刀	Hexagonal Screwdriver	1
17	10008932	漏斗	Funnel	1
18	10011155	硅油瓶	HP Oiler	1
19	10004882	油壶	Jerrican	1
20	10005523	说明书及零件样本	Explain Book	1
21	10014375	踏板组件	Pedal C.Set	1
22	10011311	机头罩	Machine Cover	1
23	10011547	下摆车缝左导向	Left	1
24	10011486	下摆车缝右导向	Right	1
25	20002539	倒骨缝组件	Eyelet	1
26	10011548	倒骨缝左导向	Fabric Guide(Left)	1
27	10011542	倒骨缝右导向	Fabric Guide(Right)	1
28	10011545	螺钉(M3×3.3)	Screw(M3×3.3)	1
29	10002998	垫圈	Washer	1
30	10011309	挡链板	Prevent Chain Plate	1
31	10013178	螺钉(M4×12)	Screw(M4×12)	1
32	10010761	垫圈	Washer	1



包装箱

BOX

序号 No.	件号 Pars No.	名称	Description	数量 Number
1	10008393	机头箱	Carton	1
2	10004555	下发泡	Plastic Form(Lower)	1
3	10004557	上发泡	Plastic Form(Upper)	1
4	10004556	附件箱	Attachment Box	1
5				
6				
7				
8				
9				
10				
11				
12				
13				
14				
15				
16				
17				
18				
19				
20				
21				
22				
23				
24				
25				
26				
27				
28				
29				
30				
31				
32				
33				
34				
35				
36				
37				
38				
39				
40				
41				
42				
43				
44				
45				
46				
47				
48				
49				
50				
51				
52				
53				
54				
55				



ZOJE

中捷

中国·中捷缝纫机股份有限公司
ZOJE SEWING MACHINE CO.,LTD.

地址：浙江玉环大麦屿开发区
ADD: DAMAYU ZONE, YUHUAN, ZHEJIANG, 317604 CHINA
免费咨询电话: TEL: 800-667-6715

